

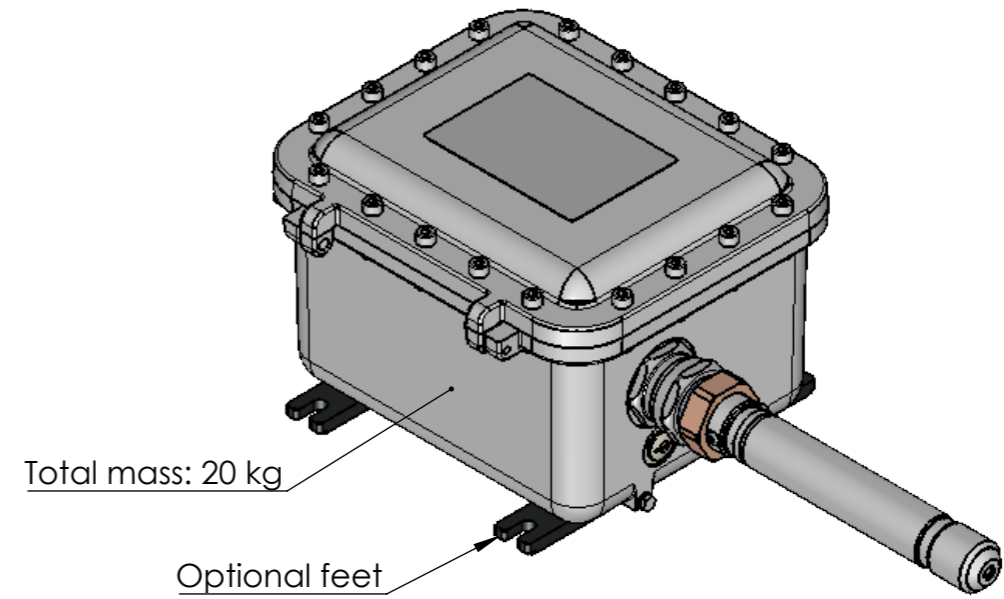
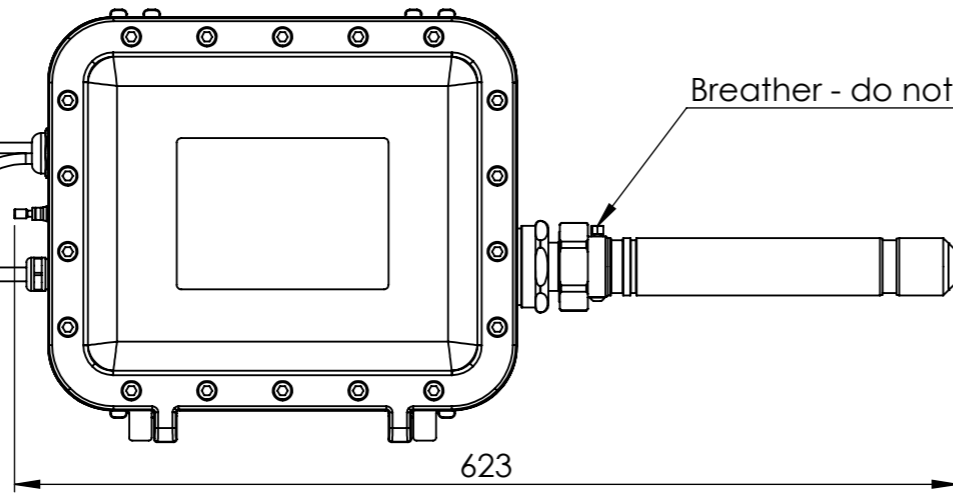
IRmadillo - ASM0627-10-Z-Cx-Ex-Gx-D3x

2x Ethernet cable, 0.5 m,
Female RJ45, IP65 mating
connector housing provided

Allow >300 mm for
cable bend

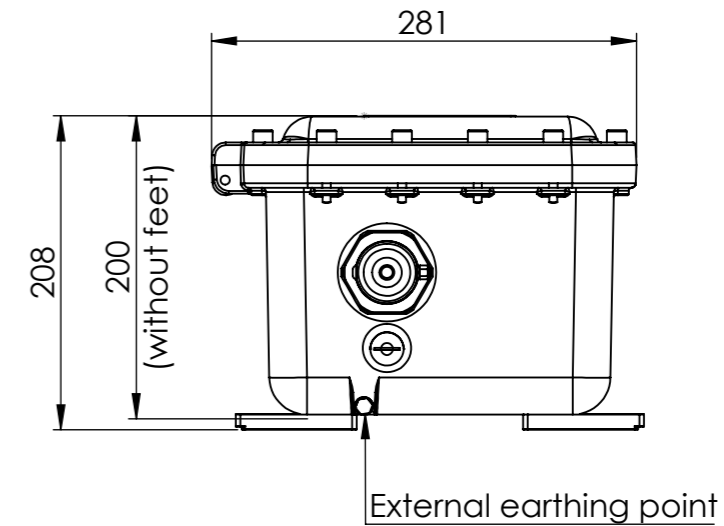
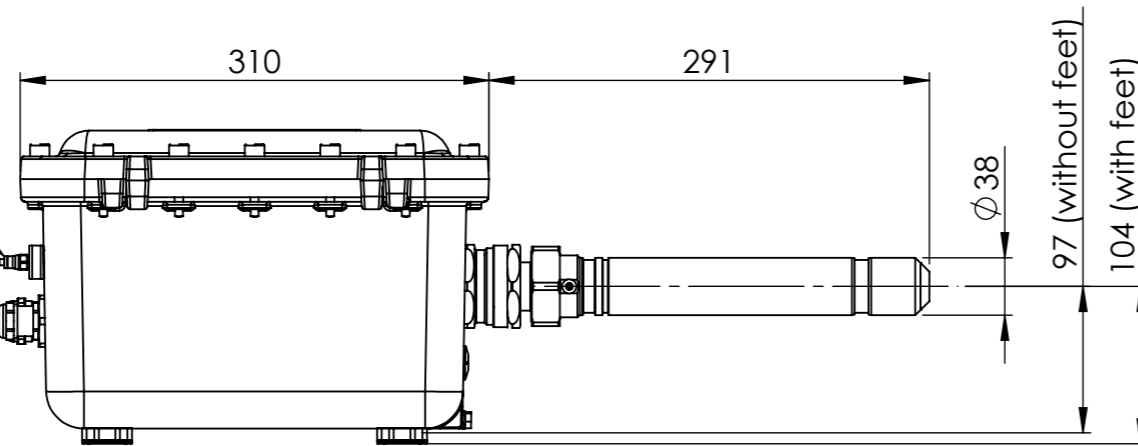
5 m blunt cut power cable

Breather - do not obstruct



Purge air inlet: push fitting
for $\varnothing 4$ mm (or 5/32") pipe
See DOC0935 for purge
gas specification

Blanking plug;
remove before use



Feet mounting points
195

Feet mounting points
238

145

4x M8 x 1.25
12mm Thread depth

$\varnothing 11$

212
Maximum wettable length

TOLERANCES UNLESS OTHERWISE STATED
DIMENSIONAL: 3dp ± 0.05 mm
2dp ± 0.1 mm
1dp ± 0.3 mm
0dp ± 1 mm
ANGULAR: $\pm 30'$

THIS DRAWING IS CONFIDENTIAL AND IS THE COPYRIGHT
AND PROPERTY OF KEIT LTD. IT SHOULD NOT BE COPIED
OR DISCLOSED TO A THIRD PARTY WITHOUT PRIOR
WRITTEN CONSENT FROM KEIT LTD.



REV	JIRA #	REVISION NOTES	DRAWN	DATE
A	-KEIT-3084	First Release	LPS	13/04/2022
01	KEIT-3084	First release of PC-in-box CI drawing	Admin	30/06/2023
01	KEIT-3084	First release of PC-in-box CI drawing	JPS	04/07/2023
03				

DEBUR AND BREAK SHARP EDGES
ALL DIMENSIONS ARE IN MILLIMETERS

FINISH:
Refer to Keit

TITLE
IRmadillo FTIR Spectrometer

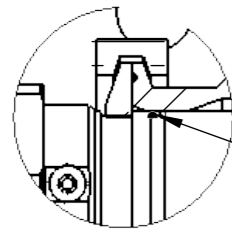
DO NOT SCALE DRAWING
SHEET 1 OF 11 SCALE: 1:5

MATERIAL:
Refer to Keit

DRAWING NUMBER
ASM0627-10-Z-Cx-Ex-Gx-D3x **A3**

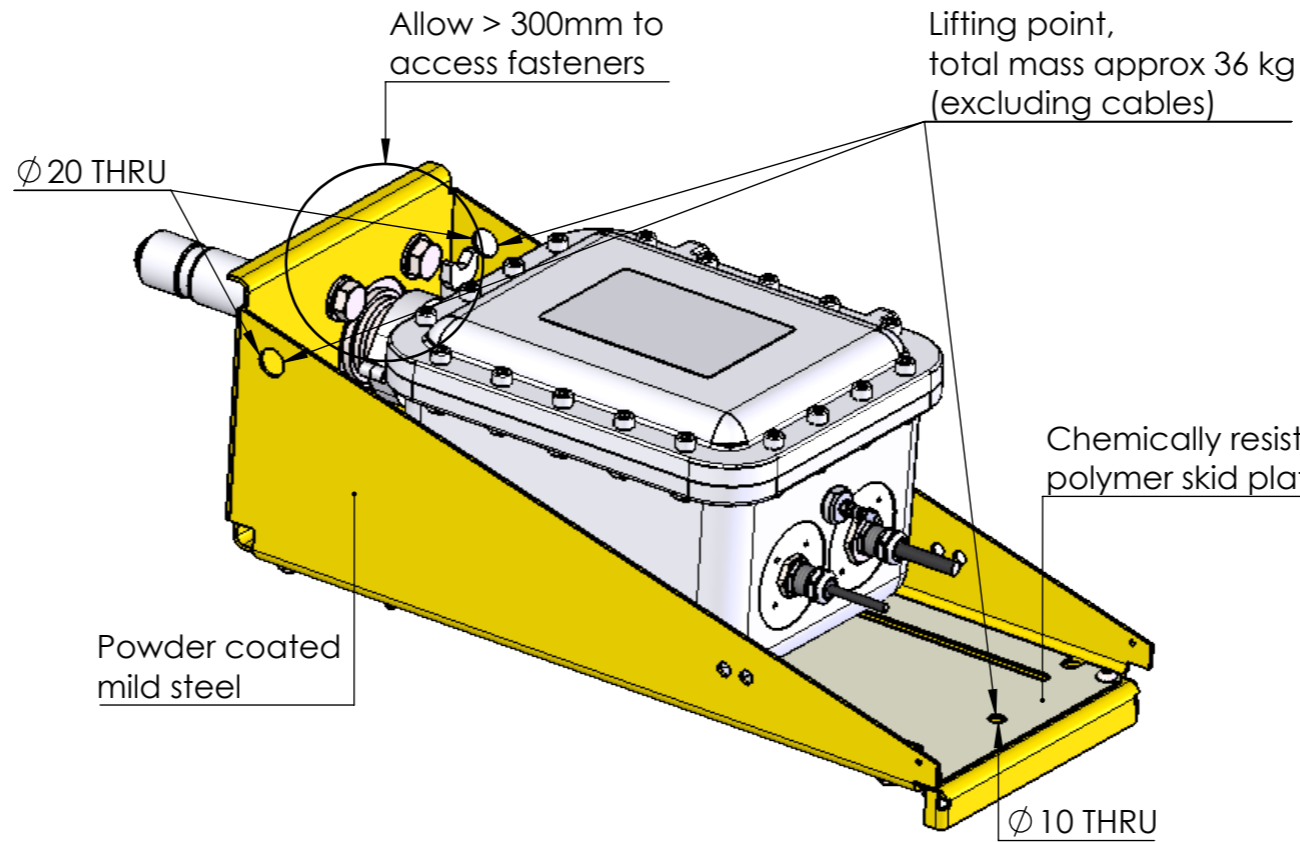
IRmadillo Cradle- ASM1453

Refer to user documentation
for installation instructions

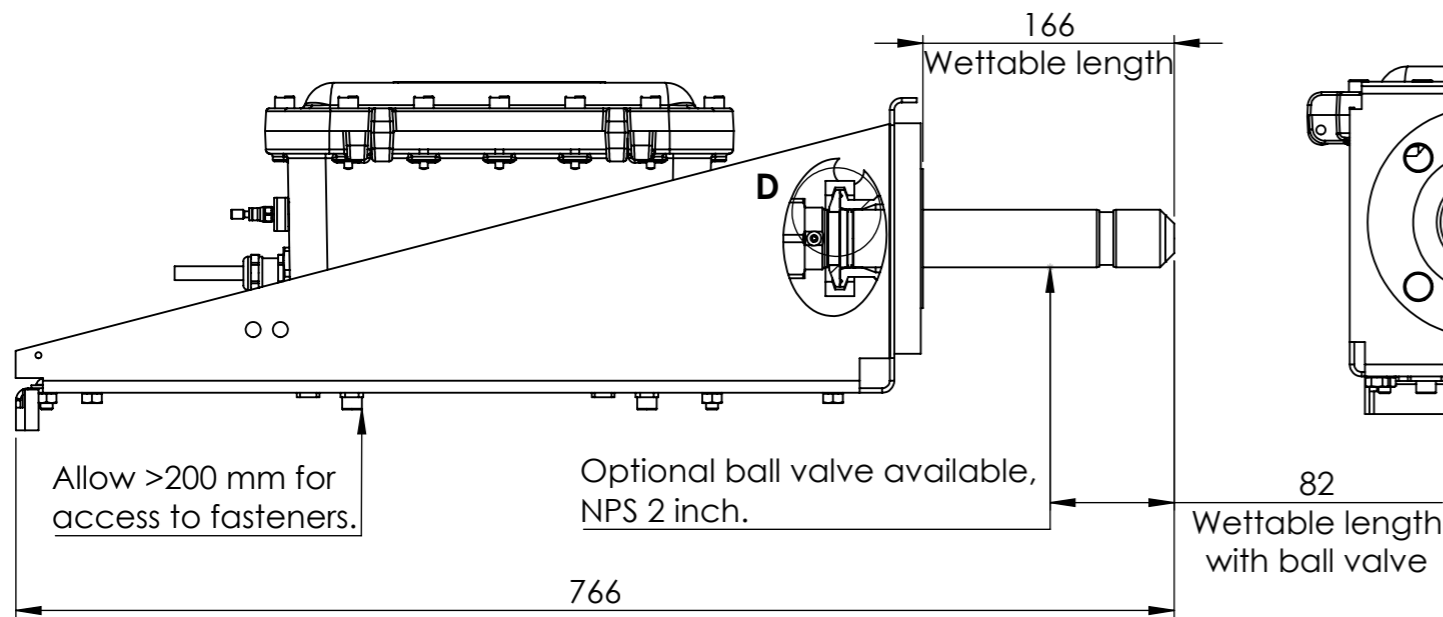


O-ring BS125 ISO3601-1
provides process seal

DETAIL D
SCALE 1 : 2

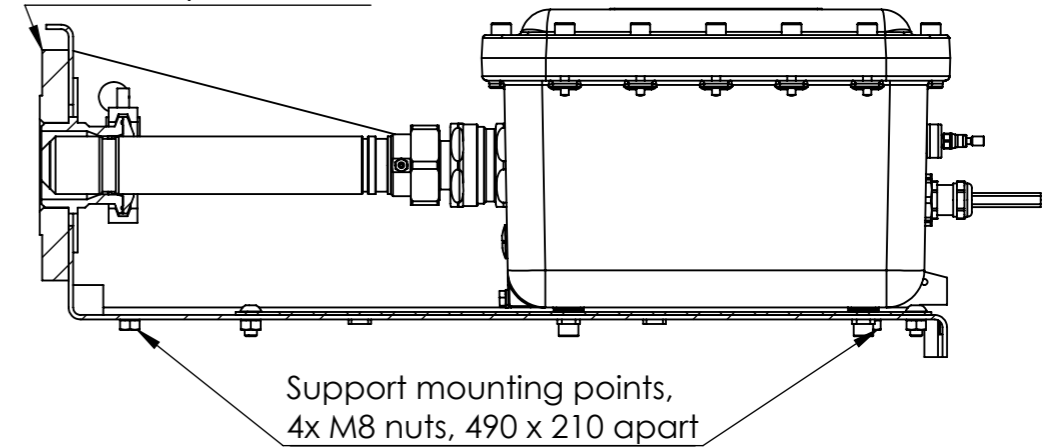


Operating Position



Withdrawn Position

2 Inch. NPS, Class 150,
Port Flange complies
with ASME/ANSI B16.5.



SECTION A-A

TOLERANCES UNLESS OTHERWISE STATED
DIMENSIONAL: 3dp ±0.05mm
2dp ±0.1mm
1dp ±0.3mm
0dp ±1mm
ANGULAR: ±30'

THIS DRAWING IS CONFIDENTIAL AND IS THE COPYRIGHT
AND PROPERTY OF KEIT LTD. IT SHOULD NOT BE COPIED
OR DISCLOSED TO A THIRD PARTY WITHOUT PRIOR
WRITTEN CONSENT FROM KEIT LTD.



REV	JIRA #	REVISION NOTES	DRAWN	DATE
A	-KEIT-3084	First Release	LPS	13/04/2022
01	KEIT-3084	First release of PC-in-box CI drawing	Admin	30/06/2023
01	KEIT-3084	First release of PC-in-box CI drawing	JPS	04/07/2023
03				

DEBUR AND BREAK SHARP EDGES
ALL DIMENSIONS ARE IN MILLIMETERS

FINISH:
Refer to Keit

TITLE
IRmadillo FTIR Spectrometer

Keit ref.: ASM1488

DO NOT SCALE DRAWING
SHEET 10 OF 11 SCALE: 1:5

MATERIAL:
Refer to Keit

DRAWING NUMBER
ASM0627-10-Z-Cx-Ex-Gx-D3x **A3**