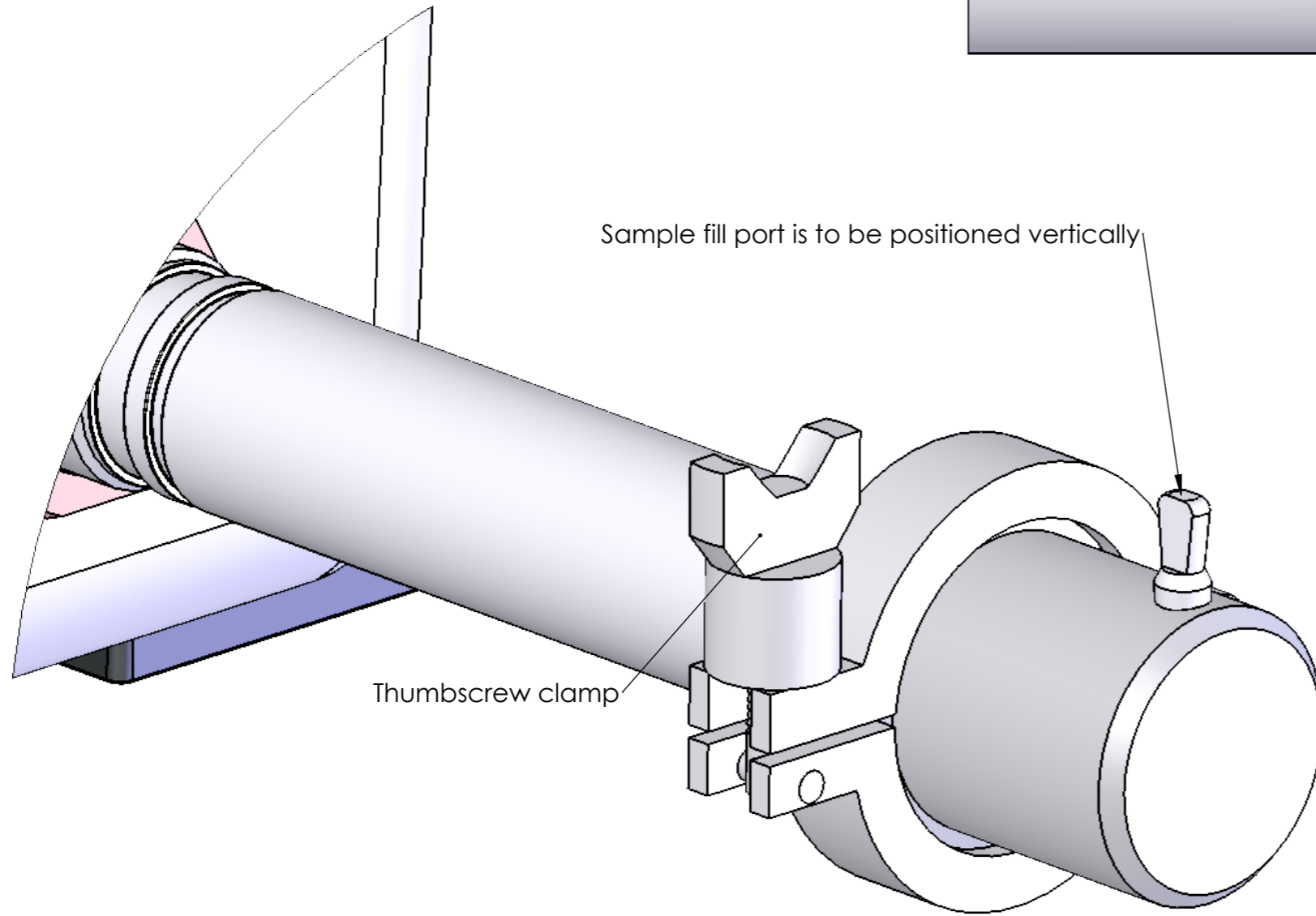
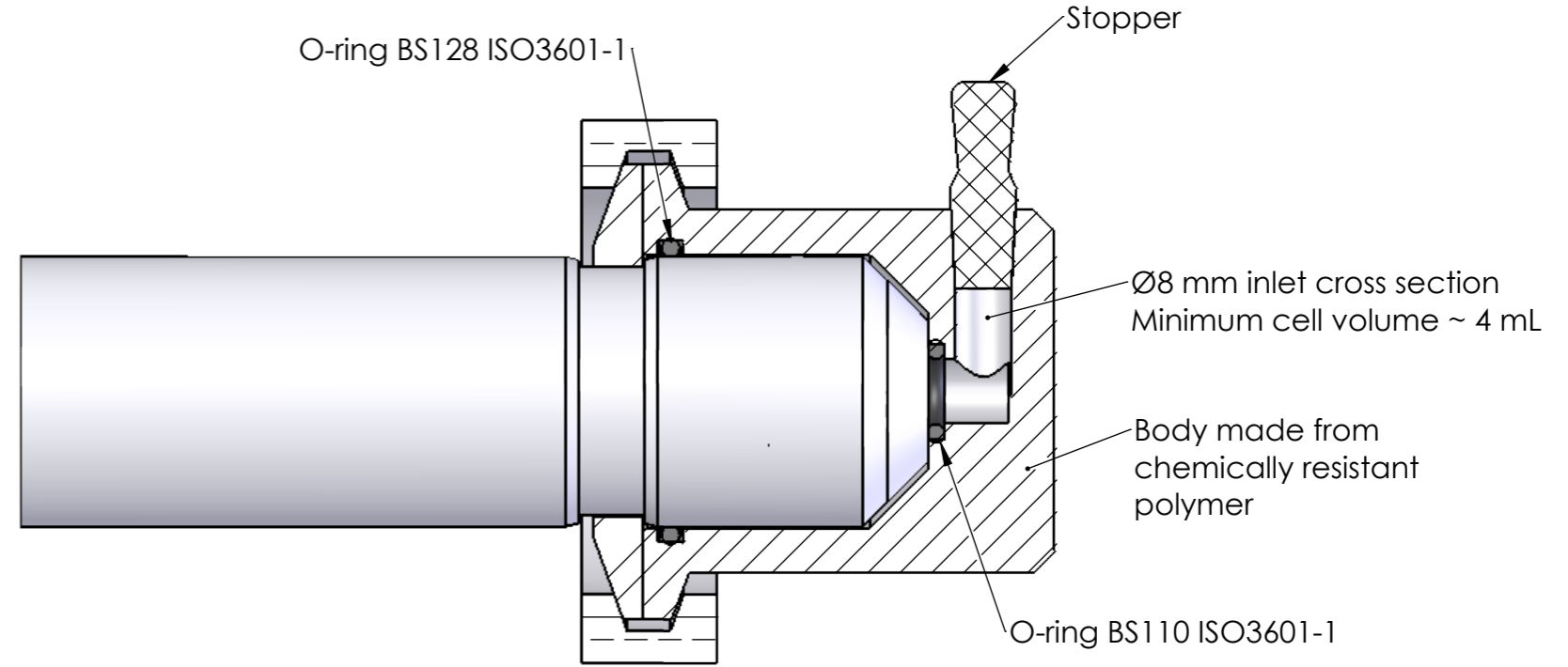


# IRmadilloEx Sample Cell - ASM1393

**NB: Sample Cell Not Ex Certified**



TOLERANCES UNLESS OTHERWISE STATED  
 DIMENSIONAL: 3dp ±0.05mm  
 2dp ±0.1mm  
 1dp ±0.3mm  
 0dp ±1mm  
 ANGULAR: ±30'

THIS DRAWING IS CONFIDENTIAL AND IS THE COPYRIGHT  
 AND PROPERTY OF KEIT LTD. IT SHOULD NOT BE COPIED  
 OR DISCLOSED TO A THIRD PARTY WITHOUT PRIOR  
 WRITTEN CONSENT FROM KEIT LTD.



Keit ref.: ASM1451-01

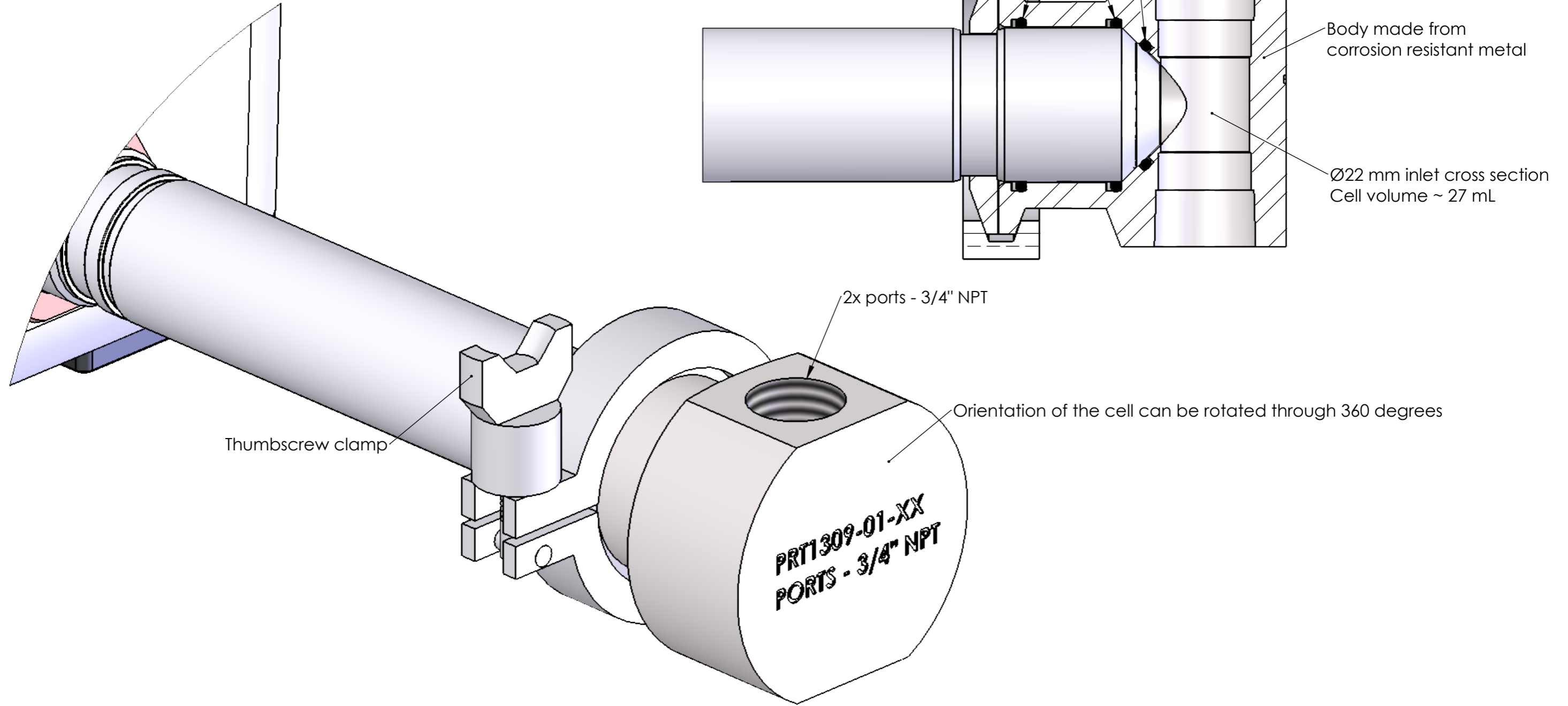
					DEBUR AND BREAK SHARP EDGES ALL DIMENSIONS ARE IN MILLIMETERS		FINISH:		TITLE	
					DO NOT SCALE DRAWING		MATERIAL:		Sample Cell - Non ATEX	
					SHEET 1 OF 4		SCALE: 1:1		DRAWING NUMBER	
REV	JIRA #	REVISION NOTES	DRAWN	DATE					ASM0627-09-x-Cx-O-Gx-D3x Accessories (Non-ATEX Certified)	

ASM0627-09-x-Cx-O-Gx-D3x  
 Accessories (Non-ATEX Certified) **A3**

# IRmadilloEx

## High Flow Cell - ASM1392

**NB: High Flow Cell Not Ex Certified**



TOLERANCES UNLESS OTHERWISE STATED  
 DIMENSIONAL: 3dp ±0.05mm  
 2dp ±0.1mm  
 1dp ±0.3mm  
 0dp ±1mm  
 ANGULAR: ±30'

THIS DRAWING IS CONFIDENTIAL AND IS THE COPYRIGHT AND PROPERTY OF KEIT LTD. IT SHOULD NOT BE COPIED OR DISCLOSED TO A THIRD PARTY WITHOUT PRIOR WRITTEN CONSENT FROM KEIT LTD.



Keit ref.: ASM1447-01

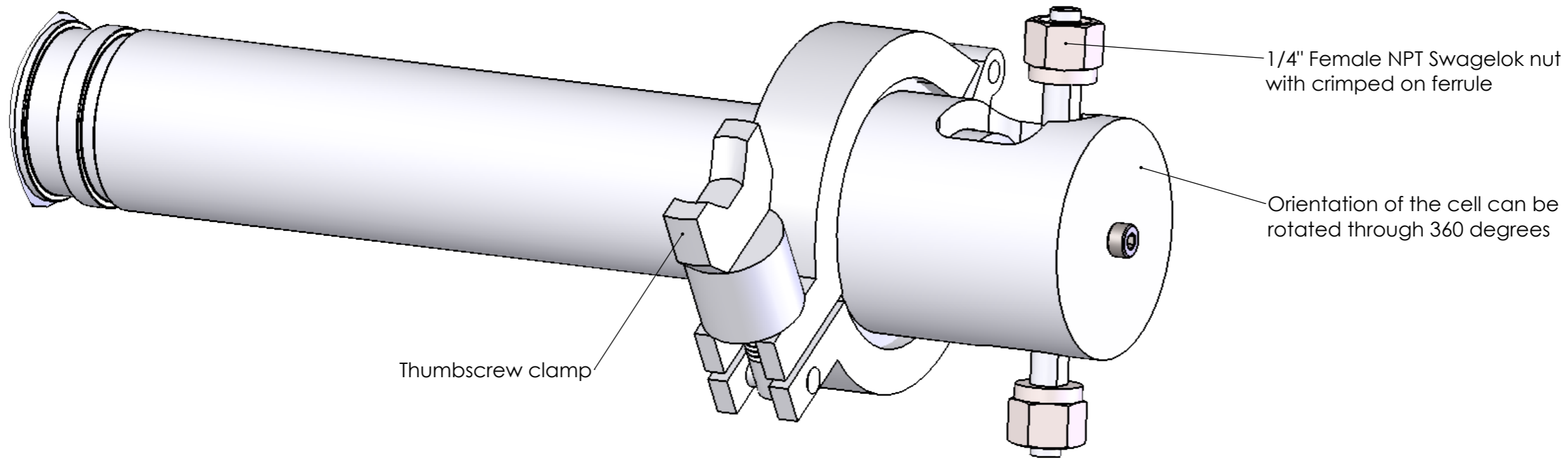
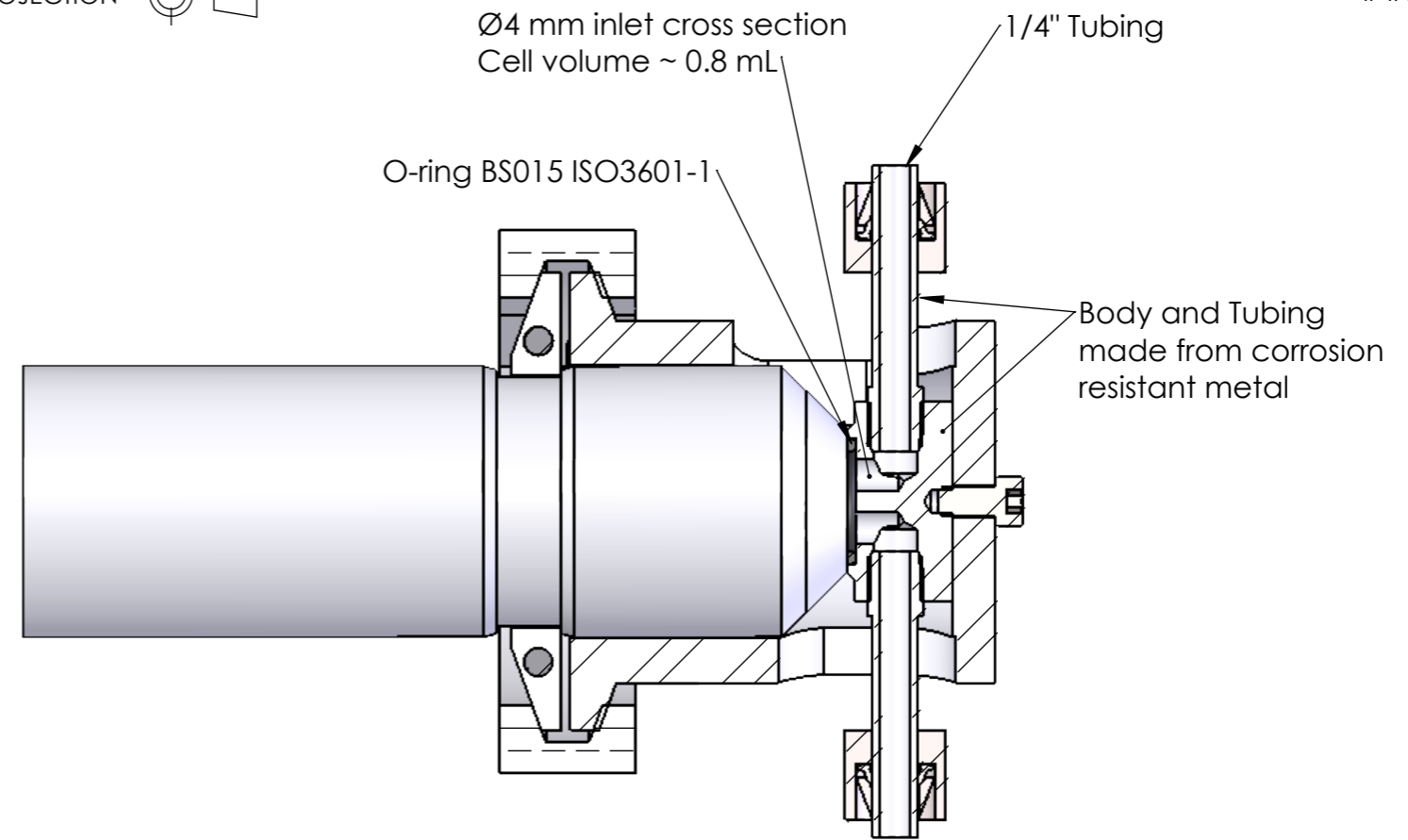
REV	JIRA #	REVISION NOTES	DRAWN	DATE	DEBUR AND BREAK SHARP EDGES ALL DIMENSIONS ARE IN MILLIMETERS	FINISH:	TITLE
A	KEIT-3629	First Release of ATEX CI Drawings	JCR	07/12/2022	DO NOT SCALE DRAWING		High Flow Cell - Non ATEX
01	KEIT-3629	First Release of ATEX CI Drawings	VG	07/12/2022	SHEET 2 OF 4	MATERIAL:	ASM0627-09-x-Cx-O-Gx-D3x Accessories (Non-ATEX Certified)

**A3**

# IRmadilloEx

## Low Flow Cell - ASM1222

**NB: Low Flow Cell Not Ex Certified**



TOLERANCES UNLESS OTHERWISE STATED  
 DIMENSIONAL: 3dp ±0.05mm  
 2dp ±0.1mm  
 1dp ±0.3mm  
 0dp ±1mm  
 ANGULAR: ±30'

THIS DRAWING IS CONFIDENTIAL AND IS THE COPYRIGHT AND PROPERTY OF KEIT LTD. IT SHOULD NOT BE COPIED OR DISCLOSED TO A THIRD PARTY WITHOUT PRIOR WRITTEN CONSENT FROM KEIT LTD.



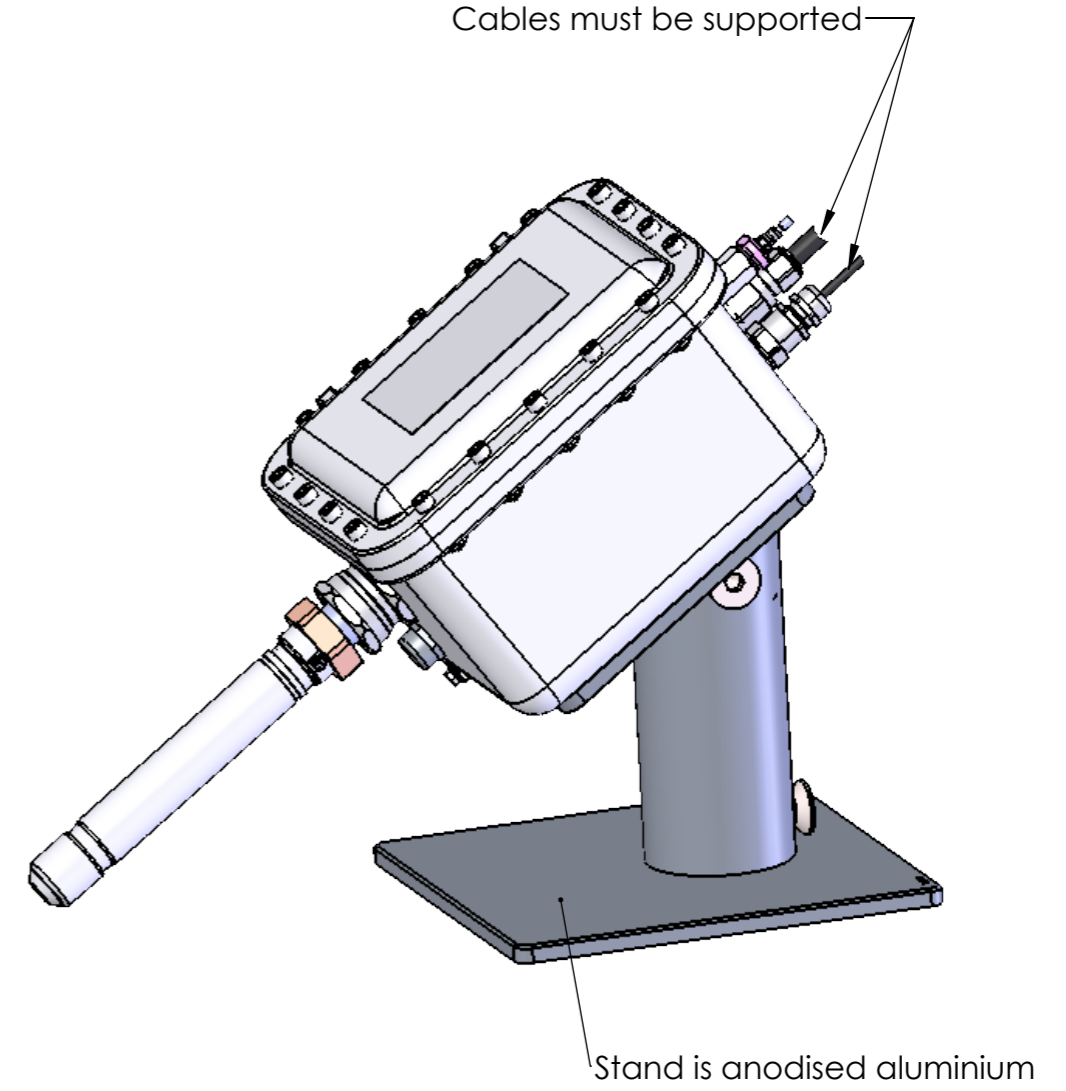
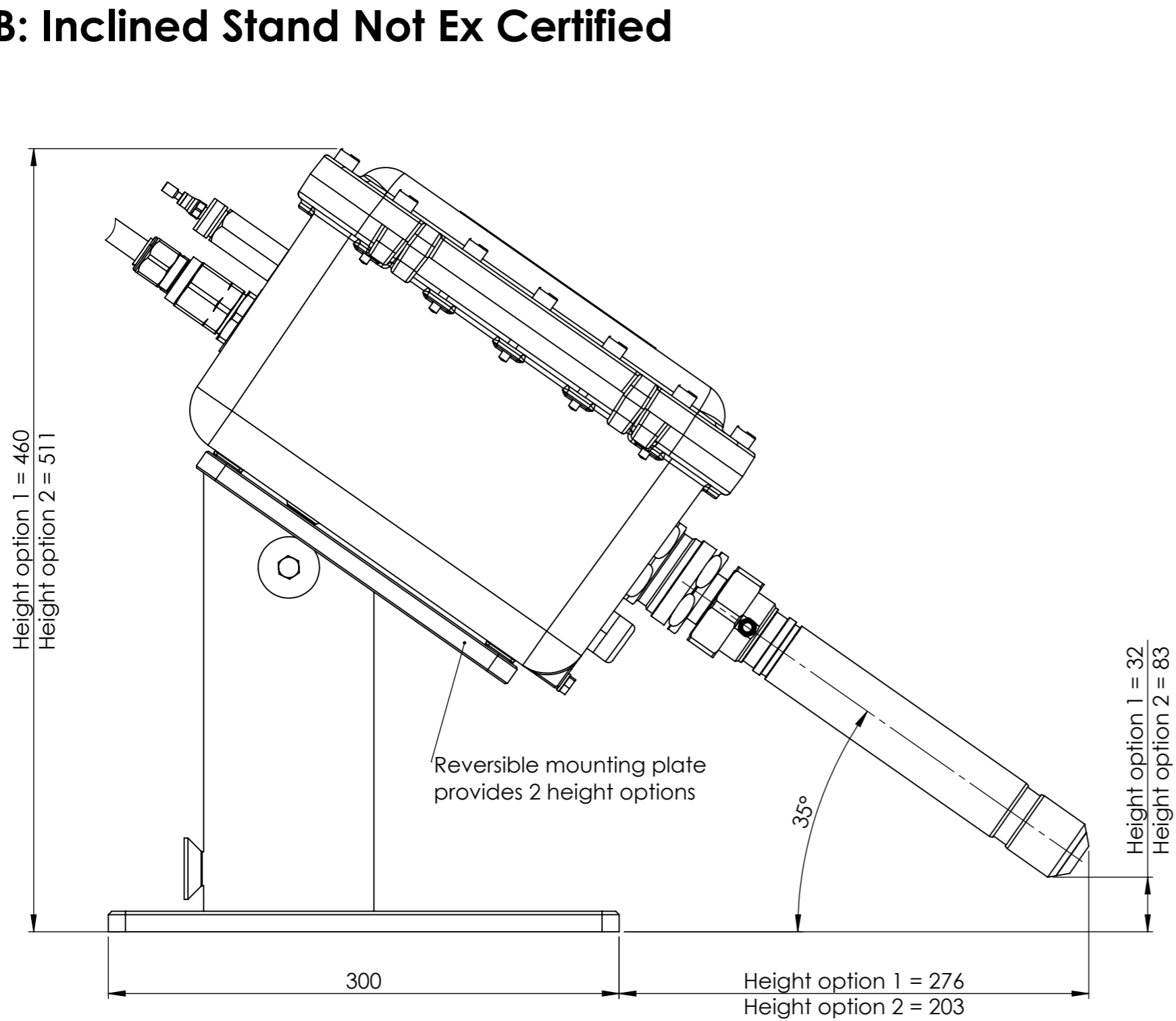
Keit ref.: ASM1448-01

				DEBUR AND BREAK SHARP EDGES ALL DIMENSIONS ARE IN MILLIMETERS		FINISH:		TITLE	
				DO NOT SCALE DRAWING		MATERIAL:		Low Flow Cell - Non Atex	
A	KEIT-3629	First Release of ATEX CI Drawings	JCR	07/12/2022	SHEET 3 OF 4		SCALE: 1:1		DRAWING NUMBER
01	KEIT-3629	First Release of ATEX CI Drawings	VG	07/12/2022					ASM0627-09-x-Cx-O-Gx-D3x Accessories (Non-ATEX Certified)
REV	JIRA #	REVISION NOTES	DRAWN	DATE					<b>A3</b>

# IRmadilloEx

## Inclined Stand - ASM0916

### NB: Inclined Stand Not Ex Certified



TOLERANCES UNLESS OTHERWISE STATED  
 DIMENSIONAL: 3dp ±0.05mm  
 2dp ±0.1mm  
 1dp ±0.3mm  
 0dp ±1mm  
 ANGULAR: ±30'

THIS DRAWING IS CONFIDENTIAL AND IS THE COPYRIGHT AND PROPERTY OF KEIT LTD. IT SHOULD NOT BE COPIED OR DISCLOSED TO A THIRD PARTY WITHOUT PRIOR WRITTEN CONSENT FROM KEIT LTD.



Keit ref.: ASM1455

				DEBUR AND BREAK SHARP EDGES ALL DIMENSIONS ARE IN MILLIMETERS		FINISH:	
				DO NOT SCALE DRAWING		MATERIAL:	
A	KEIT-3629	First Release of ATEX CI Drawings	JCR	07/12/2022	SHEET 4 OF 4		SCALE: 1:3
01	KEIT-3629	First Release of ATEX CI Drawings	VG	07/12/2022			
REV	JIRA #	REVISION NOTES	DRAWN	DATE			

TITLE  
 Inclined Stand - Non ATEX

DRAWING NUMBER  
 ASM0627-09-x-Cx-O-Gx-D3x  
 Accessories (Non-ATEX Certified)

**A3**