




### Technical Specifications

Parameter	IR-Jet: In-Situ Cleaner for the IRmadillo
Process wetted materials	316L stainless steel (default) FFKM (process sealing O-rings)
Non-wetted materials	Timer box: Aluminium Pressure generator: Stainless steel (cover)
Operating ambient temperature range	1°C to 55°C (40°F to 131°F)
Process temperature range	1°C to 99°C (40°F to 210°F)
Process pressure range	0.999 barg to 41.37 barg
IR-Jet maximum output pressure	100 bar
IR-Jet outlet flow rate	12 liters/minute max (10 second burst)
Inlet fluid temperature range	1°C to 65°C (40°F to 149°F)
Inlet fluid maximum pressure	6 bar
Inlet fluid compatible media	Liquid (clean water)*
Electrical input	240 VAC 2.2 kW @ 50-60 Hz
Current rating	13-16 Amps
Pressure generator dimensions	730 mm x 500 mm x 300 mm (L x W x H) (29" x 20" x 12")
IR-Jet weight	45 kg (99 lb)
Distance between pressure generator and IR-Jet outlet	10 m (recommended) (33 ft)
Timer settings	30 minutes OFF, 10 seconds ON
IP Rating (timer box)	IP65
CE mark / EEA certification	 (pressure generator)

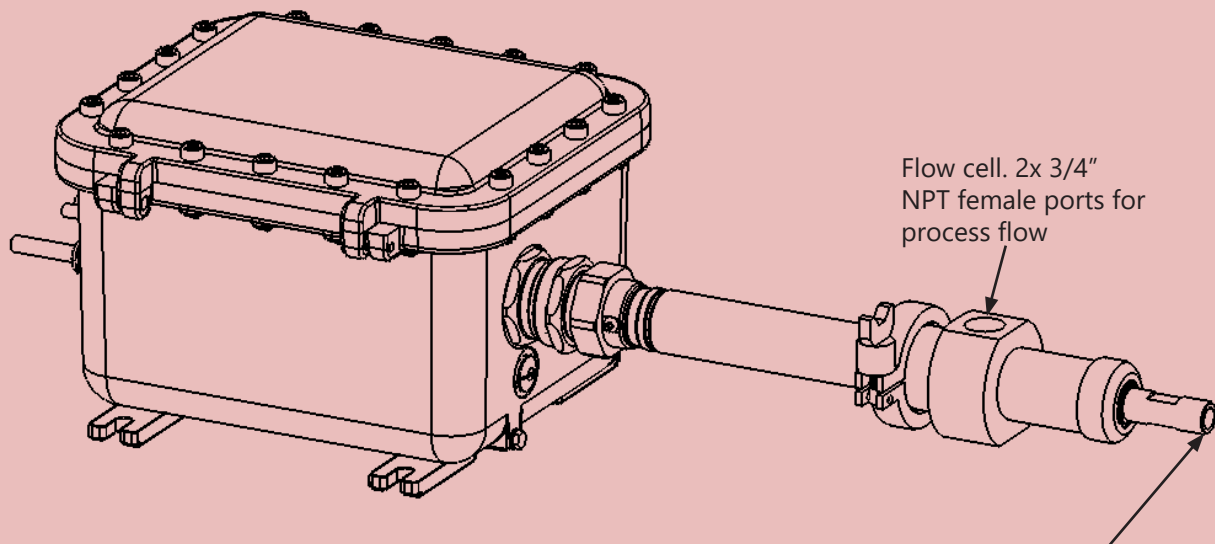
**Customers should assess the risk of pressure and temperature effects introduced by water from the IR-jet before installation**

**The IR-Jet is not certified for use in hazardous environments.**

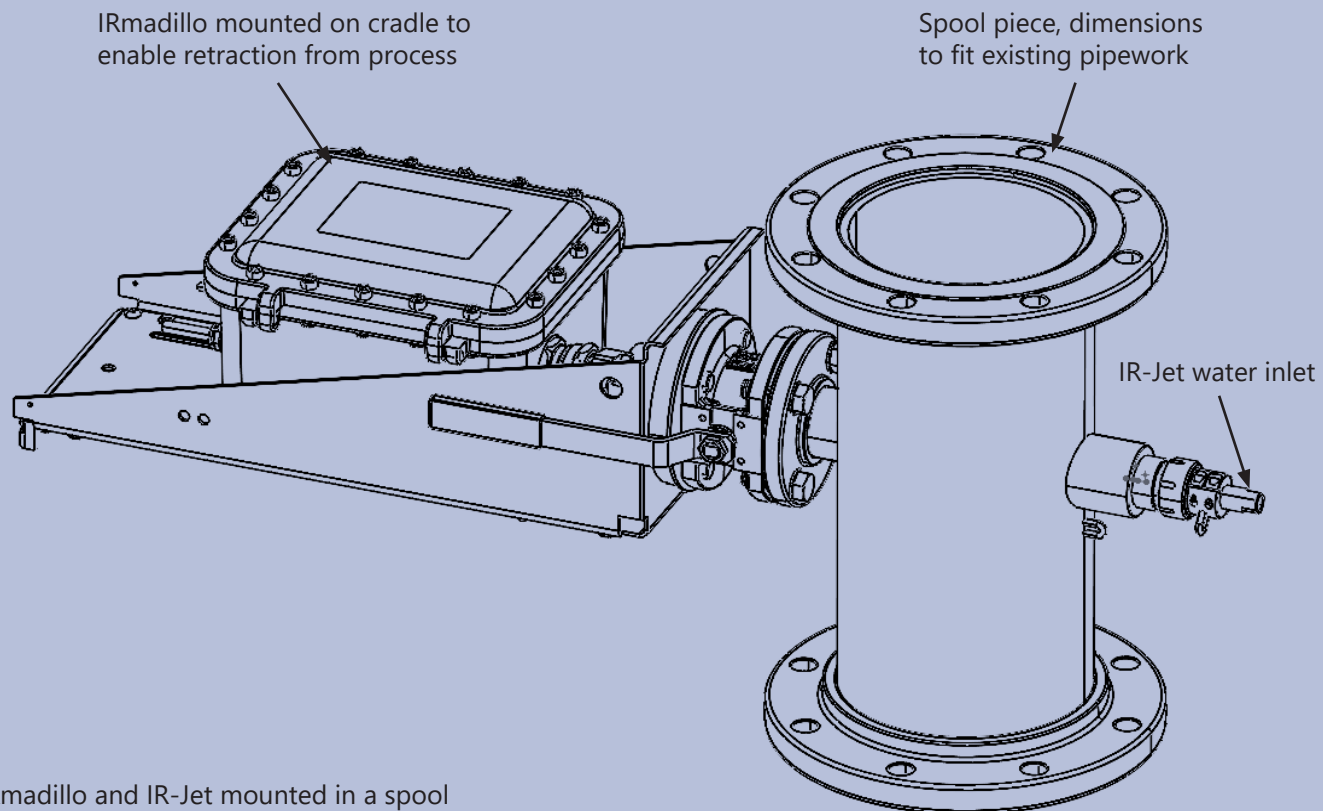
**\*It is important that the water is clean. Water should contain no particles greater than 20 microns such as fine sands to limit the wear to both the pump and the IRmadillo's probe.**



**IRmadillo**<sup>TM</sup>



IRmadillo and IR-Jet mounted in a flow cell. The flow cell design, with two 3/4" NPT ports, allows a bypass loop to be run.



IRmadillo and IR-Jet mounted in a spool piece. The spool piece design enables compatibility with existing pipework.