

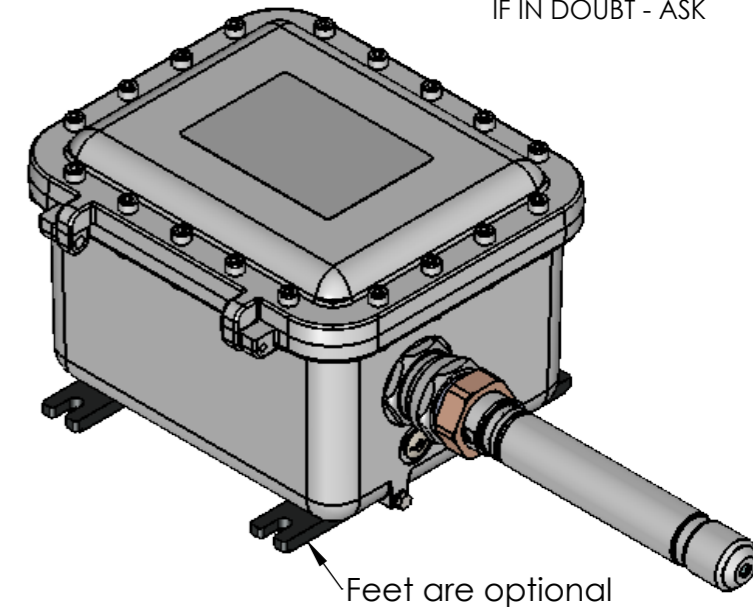
# IRmadilloDiamond CE - ASM0627-09-Z-Cx-O-Gx-D3x

Data cable, 3 metre flying lead terminated with Souriau UTC plug. Extension available - refer to Keit

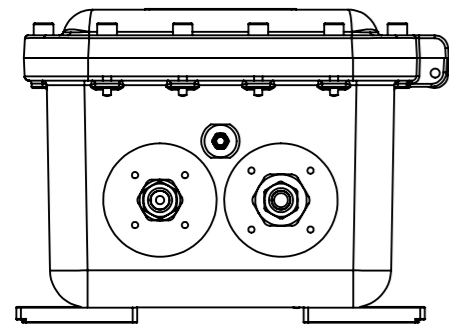
Allow 300mm behind rear face of instrument to accommodate cable bend

Power cable, blunt cut. Length 5 m

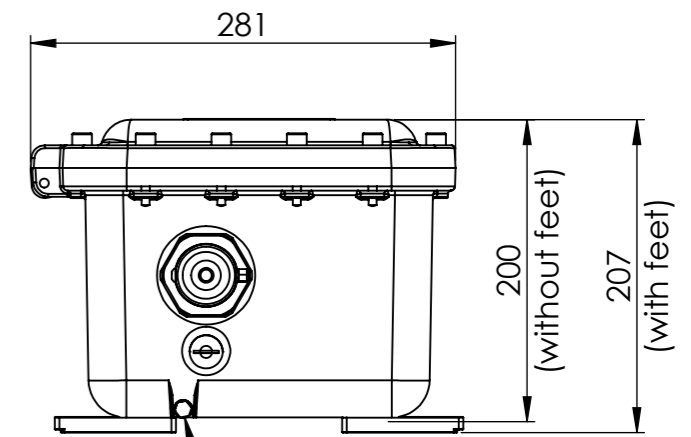
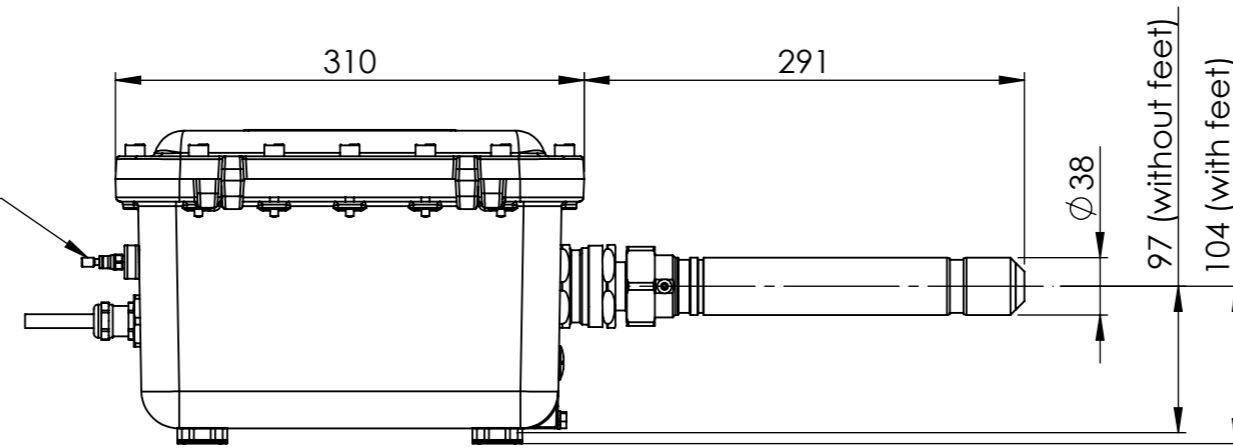
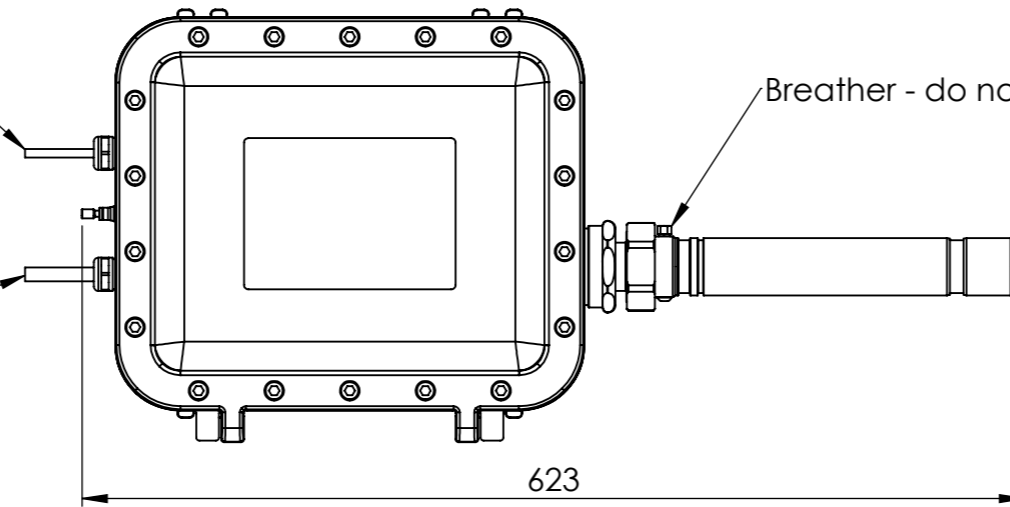
Breather - do not obstruct



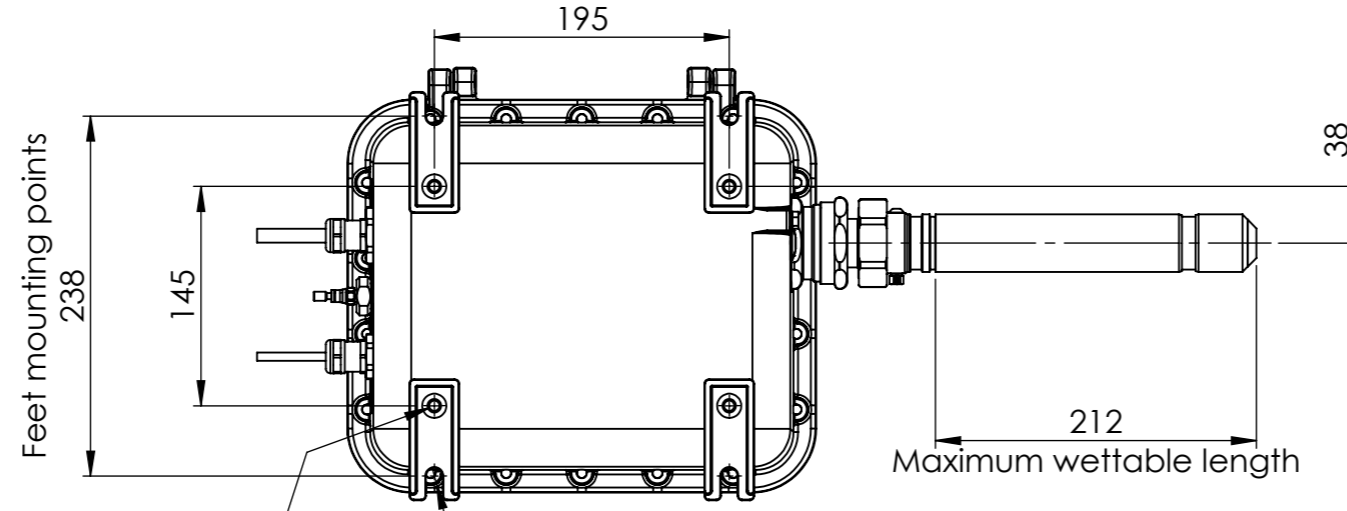
Feet are optional



Blanking plug - remove to insert Ø4mm hose for instrument grade purge gas



Feet mounting points



4x M8x1.25  
12mm Thread depth

Ø 11

TOLERANCES UNLESS OTHERWISE STATED  
DIMENSIONAL: 3dp ±0.05mm  
2dp ±0.1mm  
1dp ±0.3mm  
0dp ±1mm  
ANGULAR: ±30'

THIS DRAWING IS CONFIDENTIAL AND IS THE COPYRIGHT AND PROPERTY OF KEIT LTD. IT SHOULD NOT BE COPIED OR DISCLOSED TO A THIRD PARTY WITHOUT PRIOR WRITTEN CONSENT FROM KEIT LTD.



03	KEIT-2175	Port Flange annotation corrected	VG	09/07/2021
04	KEIT-2506	Updating the CI drawing for Ingold probe	JPS	09/11/2021
05	KEIT-2506	Ingold option addition	JSDS	16/11/2021
06	KEIT-2856	Power cable annotation change	JSDS	25/02/2022
07	kk-1571	CLARIFIED INGOLD DIMENSION	JPS	31/03/2022
REV	JIRA #	REVISION NOTES	DRAWN	DATE

DEBUR AND BREAK SHARP EDGES  
ALL DIMENSIONS ARE IN MILLIMETERS

DO NOT SCALE DRAWING  
SHEET 1 OF 11 SCALE: 1:5

FINISH:  
Refer to Keit

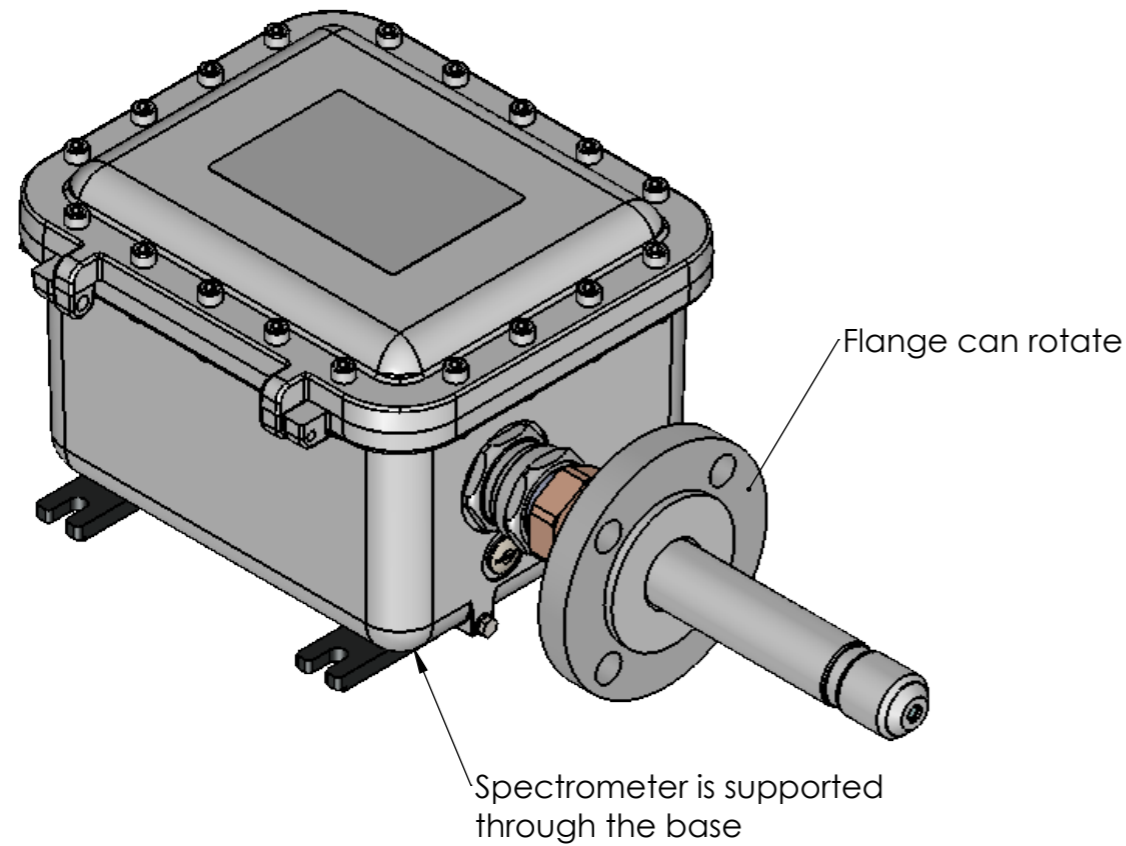
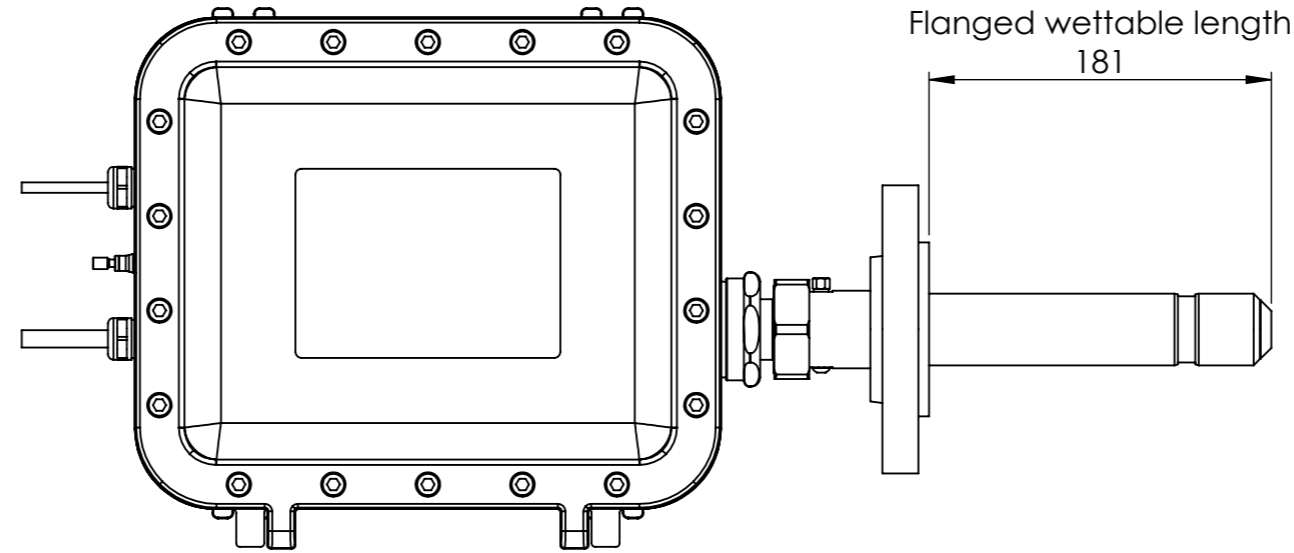
MATERIAL:  
Refer to Keit

TITLE  
IRmadillo Diamond FTIR Spectrometer

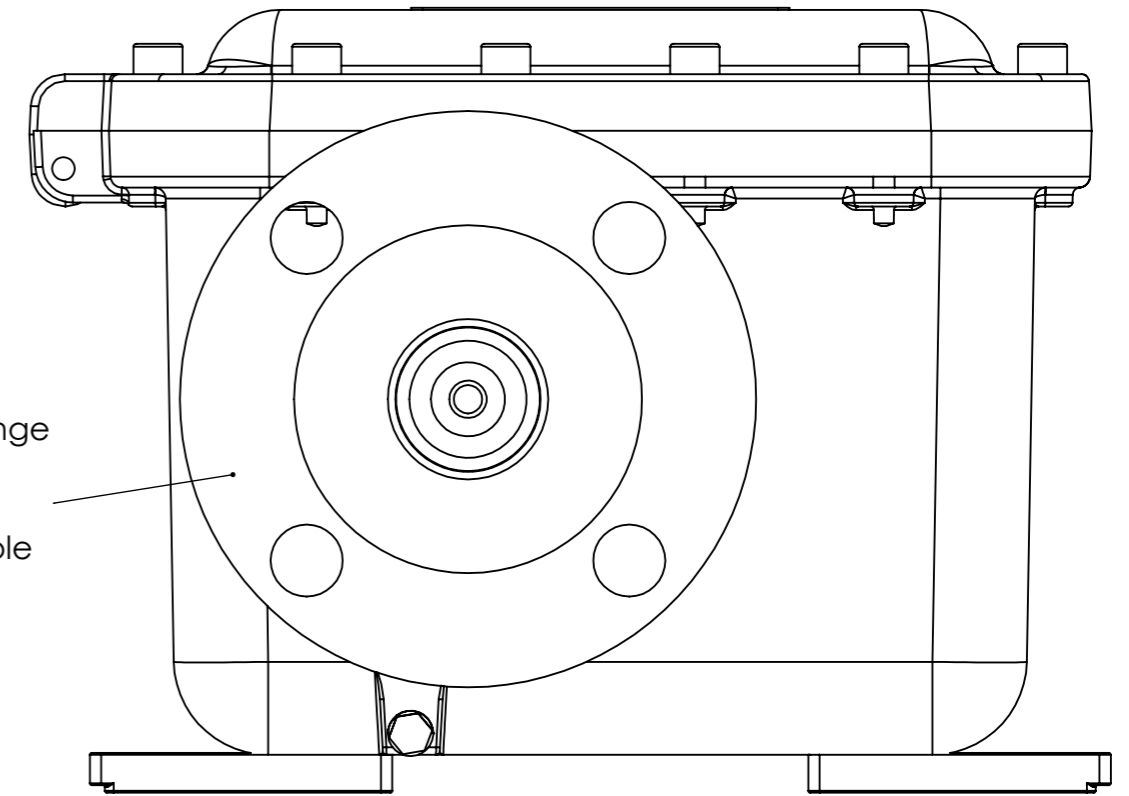
DRAWING NUMBER  
ASM0627-09-Z-Cx-O-Gx-D3x **A3**

# IRmadilloDiamond CE - ASM0627-09-Z-Cx-O-Gx-D3x

## Flanged Option



2" 150lb Lap Joint Flange and Hub comply with ASME/ANSI B16.5. Other options available on request



TOLERANCES UNLESS OTHERWISE STATED  
 DIMENSIONAL: 3dp ±0.05mm  
 2dp ±0.1mm  
 1dp ±0.3mm  
 0dp ±1mm  
 ANGULAR: ±30'

THIS DRAWING IS CONFIDENTIAL AND IS THE COPYRIGHT AND PROPERTY OF KEIT LTD. IT SHOULD NOT BE COPIED OR DISCLOSED TO A THIRD PARTY WITHOUT PRIOR WRITTEN CONSENT FROM KEIT LTD.



REV	JIRA #	REVISION NOTES	DRAWN	DATE
03	KEIT-2175	Port Flange annotation corrected	VG	09/07/2021
04	KEIT-2506	Updating the CI drawing for Ingold probe	JPS	09/11/2021
05	KEIT-2506	Ingold option addition	JSDS	16/11/2021
06	KEIT-2856	Power cable annotation change	JSDS	25/02/2022
07	kk-1571	CLARIFIED INGOLD DIMENSION	JPS	31/03/2022

DEBUR AND BREAK SHARP EDGES  
ALL DIMENSIONS ARE IN MILLIMETERS

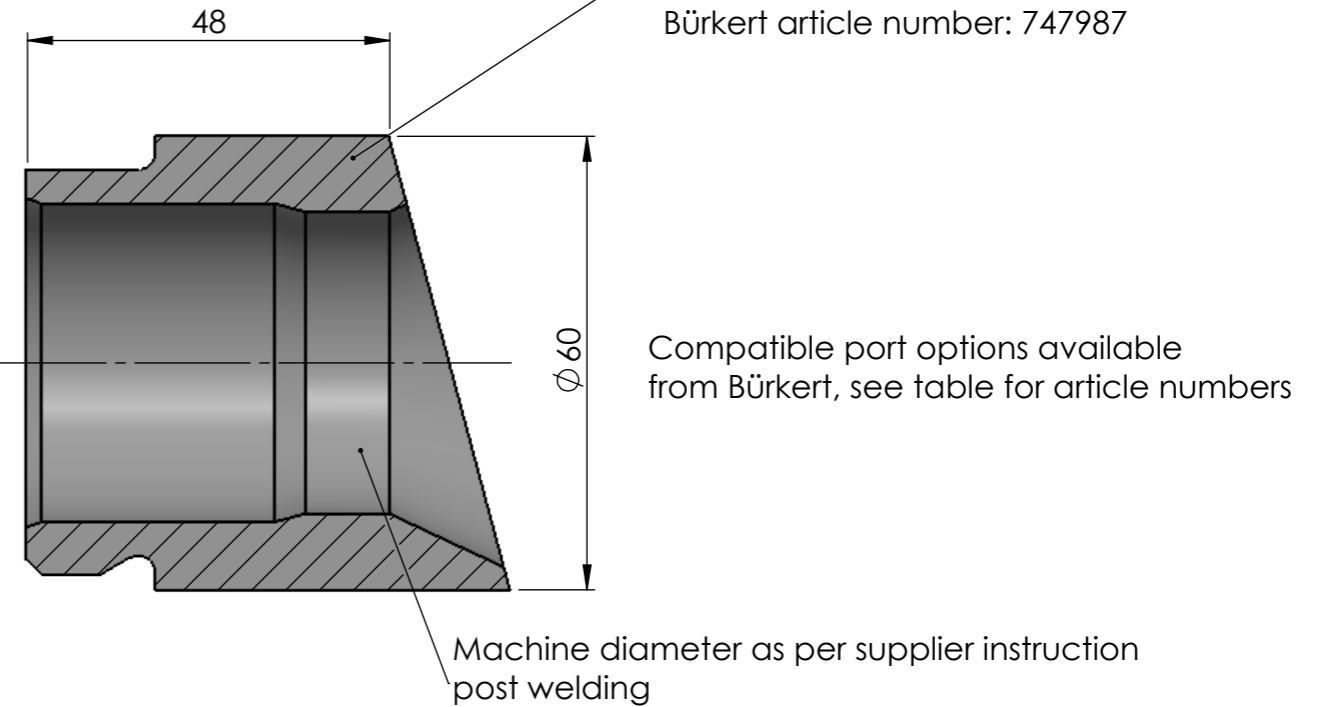
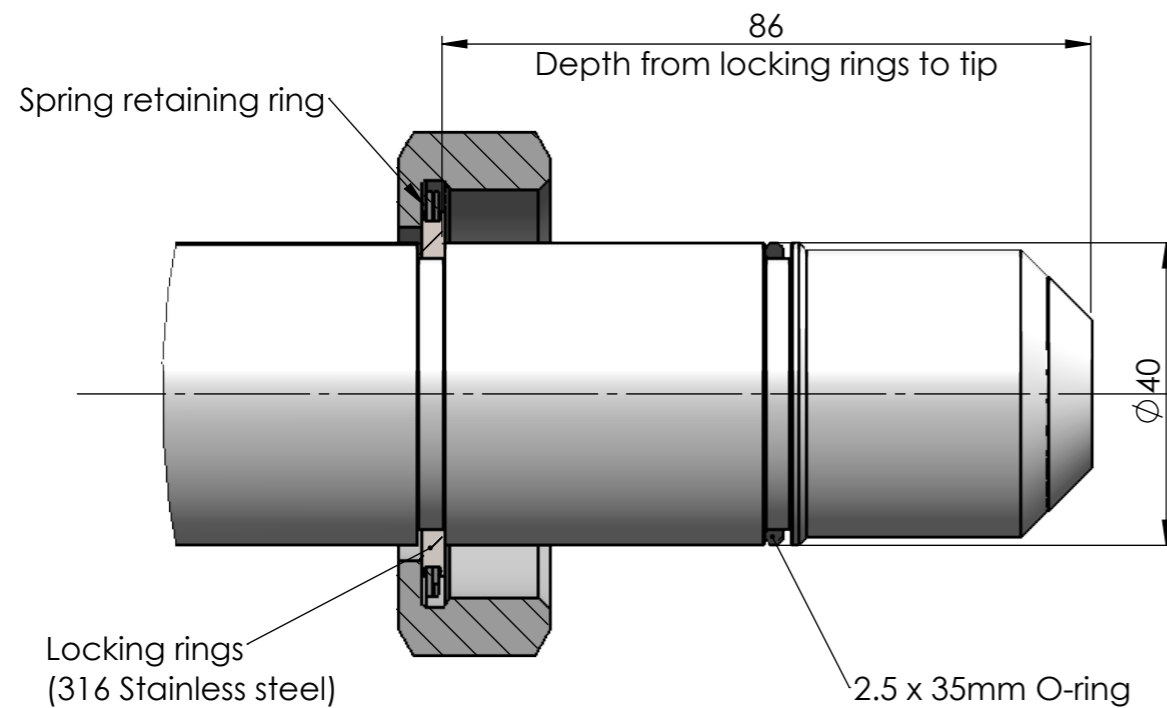
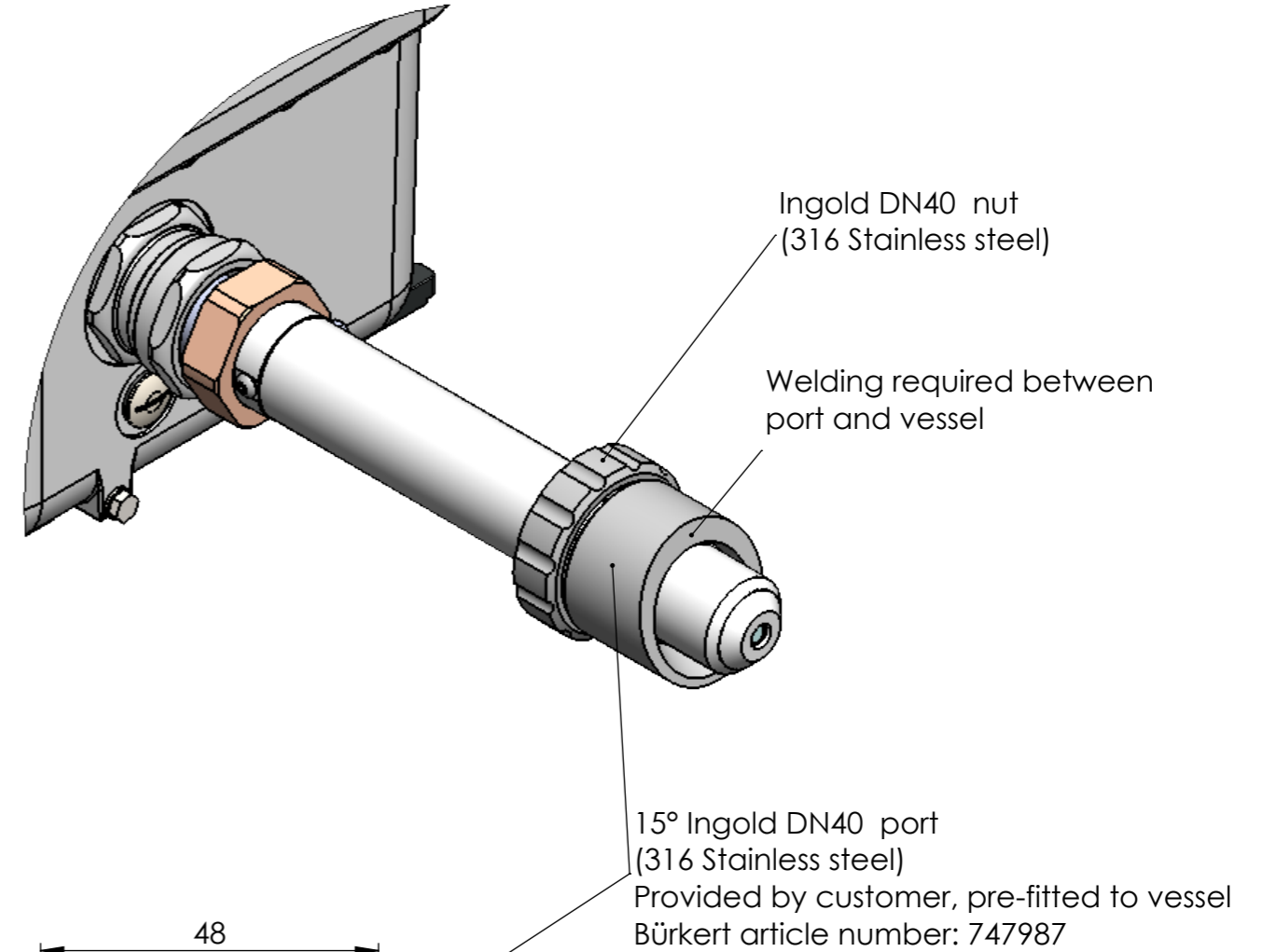
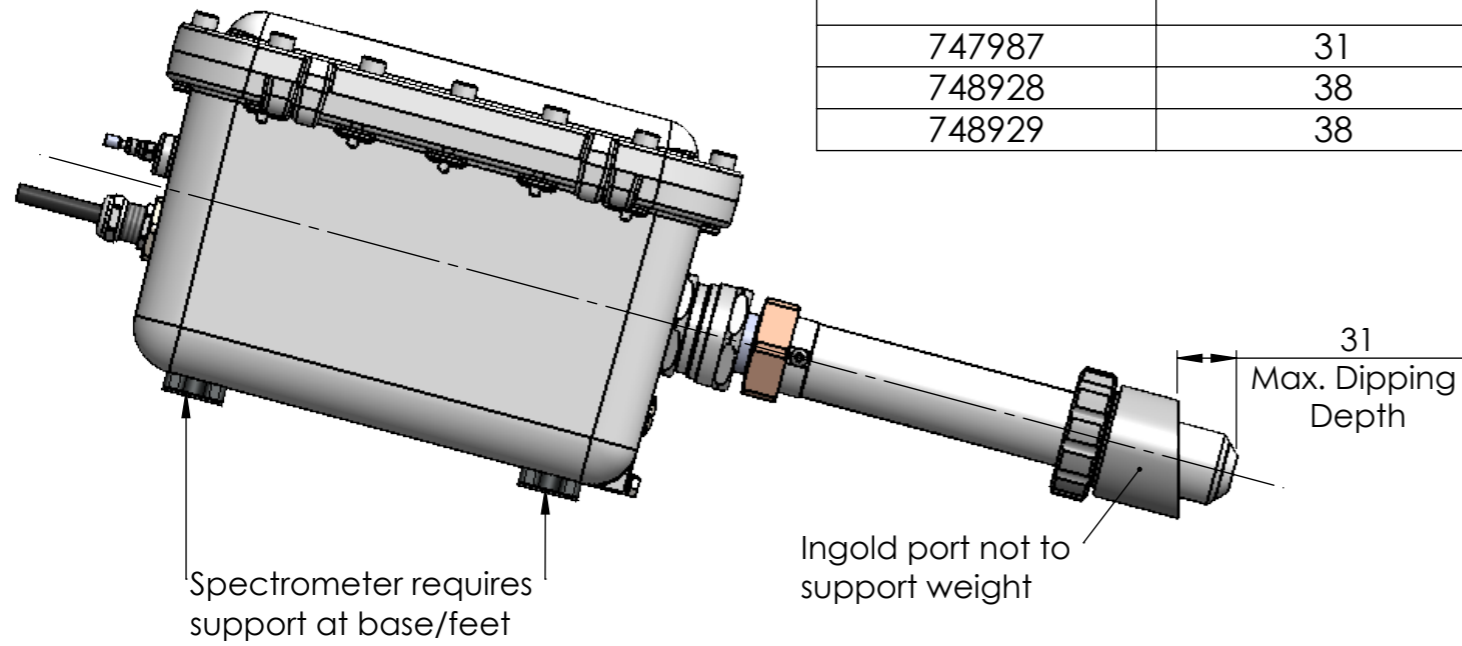
DO NOT SCALE DRAWING  
SHEET 2 OF 11 SCALE: 1:2

FINISH: Refer to Keit  
MATERIAL: Refer to Keit

TITLE IRmadillo Diamond FTIR Spectrometer  
DRAWING NUMBER ASM0627-09-Z-Cx-O-Gx-D3x **A3**

# IRmadilloDiamond CE - ASM0627-09-Z-Cx-O-Gx-D3I Ingold DN40 Option

Bürkert Article No.	Max. Dipping Depth
747987	31
748928	38
748929	38



TOLERANCES UNLESS OTHERWISE STATED  
 DIMENSIONAL: 3dp ±0.05mm  
 2dp ±0.1mm  
 1dp ±0.3mm  
 0dp ±1mm  
 ANGULAR: ±30'

THIS DRAWING IS CONFIDENTIAL AND IS THE COPYRIGHT AND PROPERTY OF KEIT LTD. IT SHOULD NOT BE COPIED OR DISCLOSED TO A THIRD PARTY WITHOUT PRIOR WRITTEN CONSENT FROM KEIT LTD.



Keit ref.: ASM1521

REV	JIRA #	REVISION NOTES	DRAWN	DATE
03	KEIT-2175	Port Flange annotation corrected	VG	09/07/2021
04	KEIT-2506	Updating the CI drawing for Ingold probe	JPS	09/11/2021
05	KEIT-2506	Ingold option addition	JSDS	16/11/2021
06	KEIT-2856	Power cable annotation change	JSDS	25/02/2022
07	kk-1571	CLARIFIED INGOLD DIMENSION	JPS	31/03/2022

DEBUR AND BREAK SHARP EDGES  
ALL DIMENSIONS ARE IN MILLIMETERS

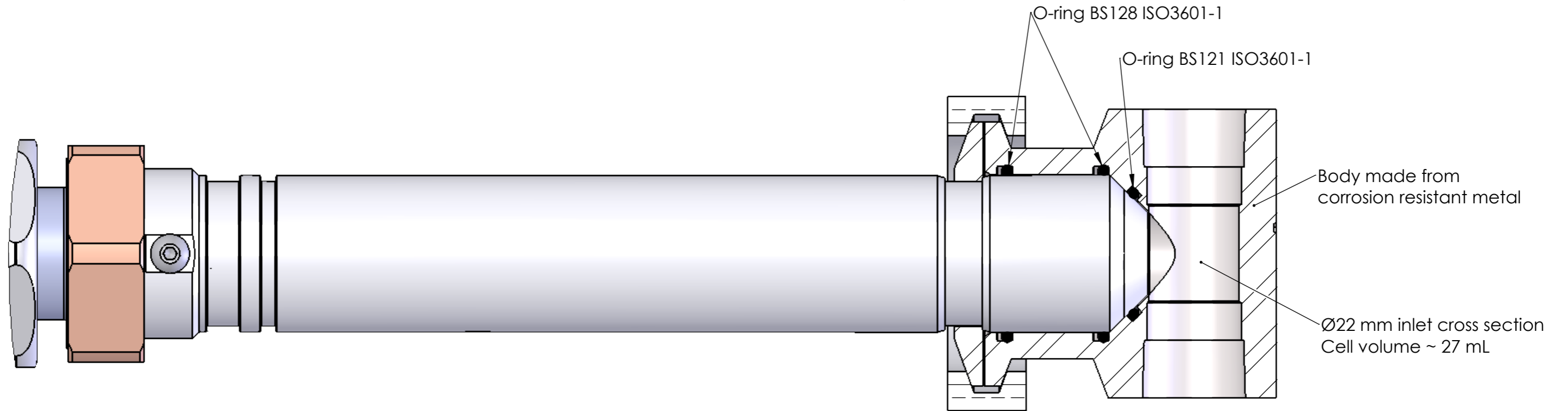
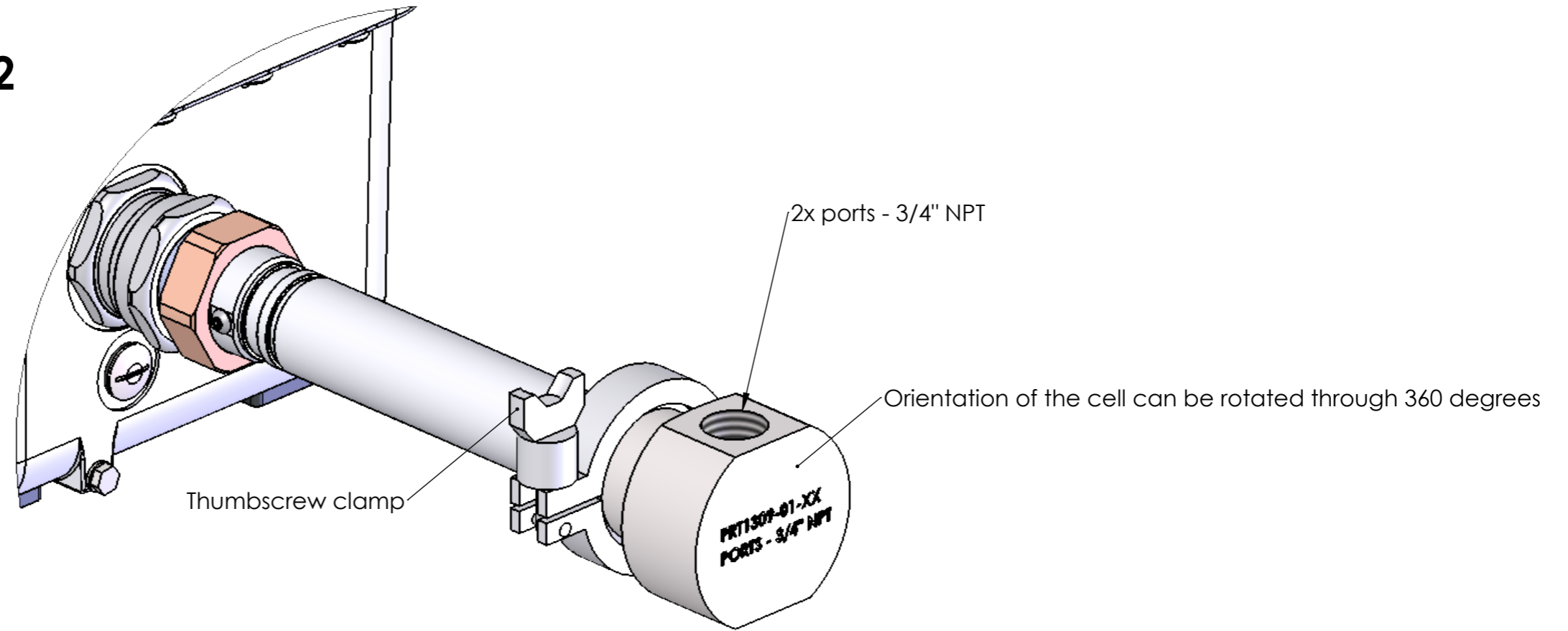
DO NOT SCALE DRAWING  
SHEET 3 OF 11 SCALE: 1:1

FINISH: Refer to Keit  
MATERIAL: Refer to Keit

TITLE IRmadillo Diamond FTIR Spectrometer

DRAWING NUMBER ASM0627-09-Z-Cx-O-Gx-D3x **A3**

# IRmadilloDiamond High Flow Cell - ASM1392



TOLERANCES UNLESS OTHERWISE STATED  
 DIMENSIONAL: 3dp ±0.05mm  
 2dp ±0.1mm  
 1dp ±0.3mm  
 0dp ±1mm  
 ANGULAR: ±30'

THIS DRAWING IS CONFIDENTIAL AND IS THE COPYRIGHT AND PROPERTY OF KEIT LTD. IT SHOULD NOT BE COPIED OR DISCLOSED TO A THIRD PARTY WITHOUT PRIOR WRITTEN CONSENT FROM KEIT LTD.



Keit ref.: ASM1447-01

REV	JIRA #	REVISION NOTES	DRAWN	DATE
03	KEIT-2175	Port Flange annotation corrected	VG	09/07/2021
04	KEIT-2506	Updating the CI drawing for Ingold probe	JPS	09/11/2021
05	KEIT-2506	Ingold option addition	JSDS	16/11/2021
06	KEIT-2856	Power cable annotation change	JSDS	25/02/2022
07	kk-1571	CLARIFIED INGOLD DIMENSION	JPS	31/03/2022

DEBUR AND BREAK SHARP EDGES  
ALL DIMENSIONS ARE IN MILLIMETERS

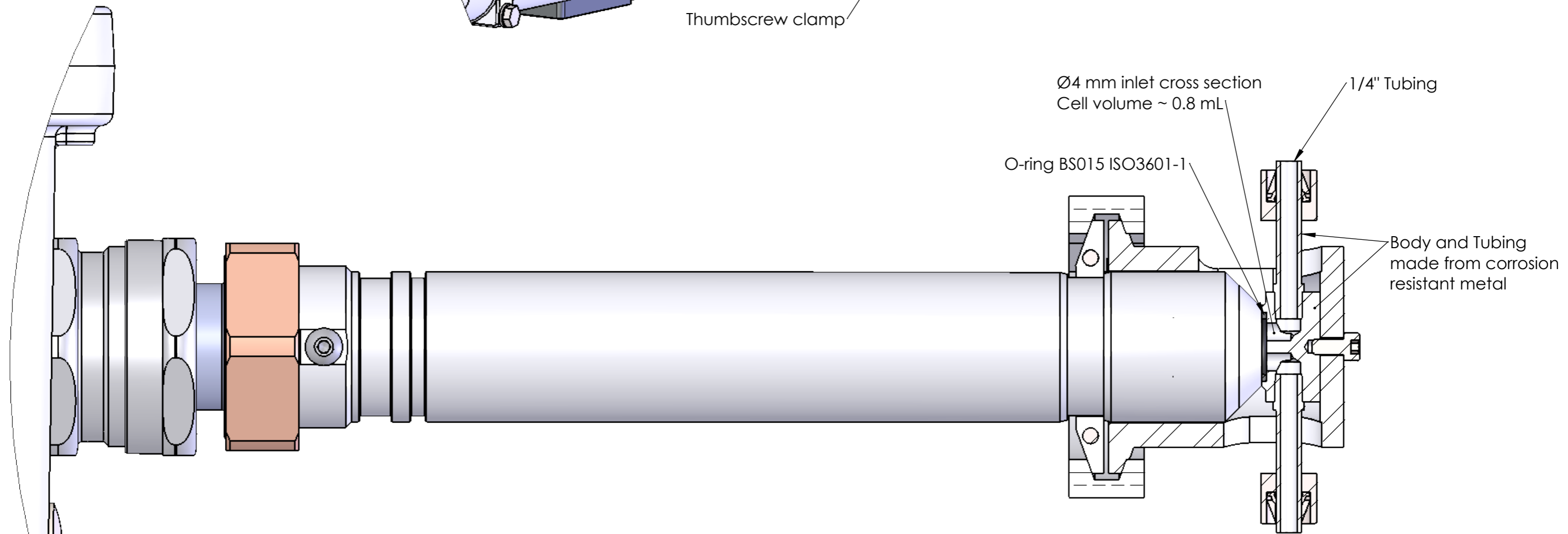
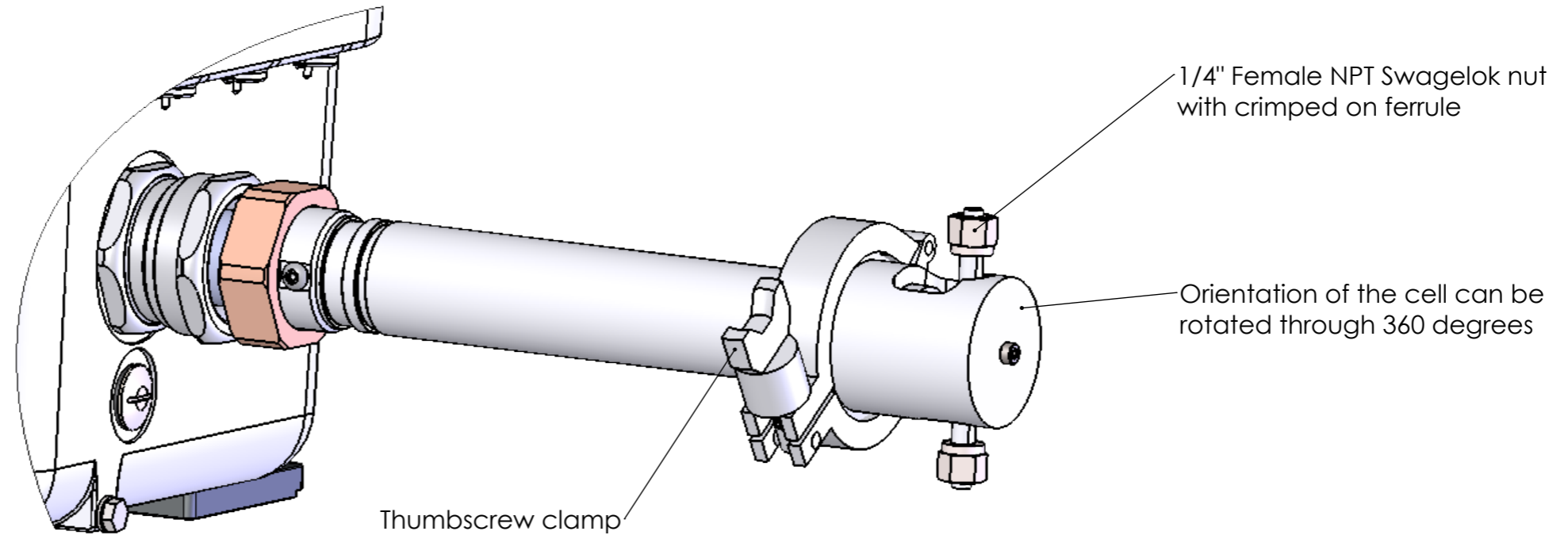
DO NOT SCALE DRAWING  
SHEET 4 OF 11 SCALE: 1:1

FINISH: Refer to Keit  
MATERIAL: Refer to Keit

TITLE IRmadillo Diamond FTIR Spectrometer

DRAWING NUMBER ASM0627-09-Z-Cx-O-Gx-D3x **A3**

# IRmadilloDiamond Low Flow Cell - ASM1222



Keit ref.: ASM1448-01

TOLERANCES UNLESS OTHERWISE STATED  
 DIMENSIONAL: 3dp ±0.05mm  
 2dp ±0.1mm  
 1dp ±0.3mm  
 0dp ±1mm  
 ANGULAR: ±30'

THIS DRAWING IS CONFIDENTIAL AND IS THE COPYRIGHT AND PROPERTY OF KEIT LTD. IT SHOULD NOT BE COPIED OR DISCLOSED TO A THIRD PARTY WITHOUT PRIOR WRITTEN CONSENT FROM KEIT LTD.



REV	JIRA #	REVISION NOTES	DRAWN	DATE
03	KEIT-2175	Port Flange annotation corrected	VG	09/07/2021
04	KEIT-2506	Updating the CI drawing for Ingold probe	JPS	09/11/2021
05	KEIT-2506	Ingold option addition	JSDS	16/11/2021
06	KEIT-2856	Power cable annotation change	JSDS	25/02/2022
07	kk-1571	CLARIFIED INGOLD DIMENSION	JPS	31/03/2022

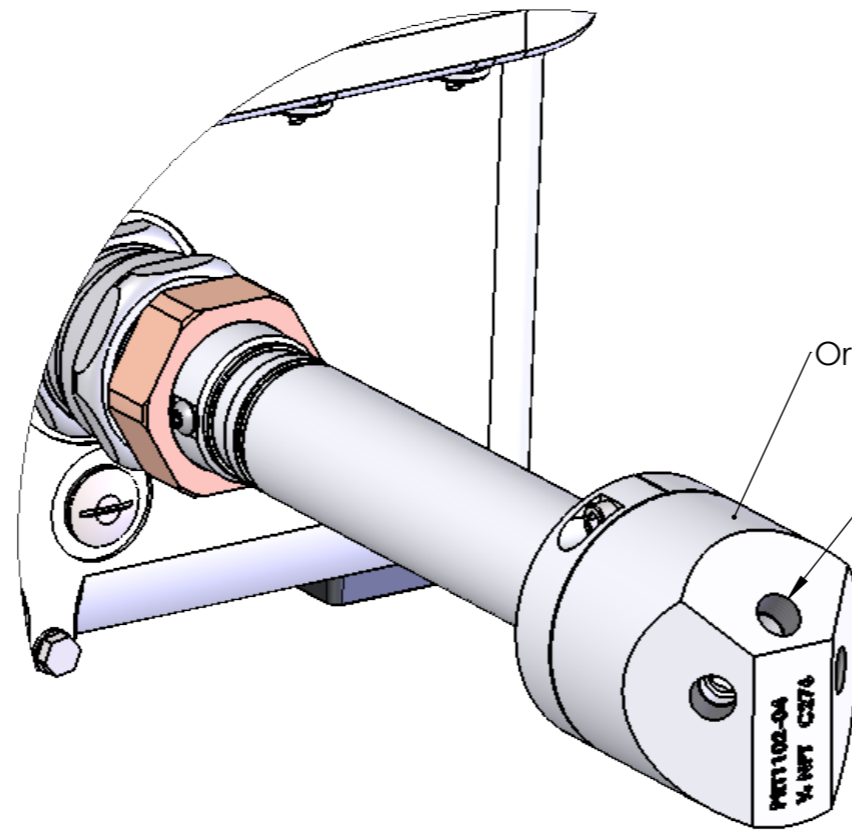
DEBUR AND BREAK SHARP EDGES  
 ALL DIMENSIONS ARE IN MILLIMETERS  
 DO NOT SCALE DRAWING  
 SHEET 5 OF 11 SCALE: 1:1

FINISH: Refer to Keit  
 MATERIAL: Refer to Keit

TITLE IRmadillo Diamond FTIR Spectrometer  
 DRAWING NUMBER ASM0627-09-Z-Cx-O-Gx-D3x **A3**

# IRmadilloDiamond Tri-Port Flow Cell - ASM1101

Exact details are subject to change



Orientation of the cell can be rotated through 360 degrees

3x Ports - 1/4" NPT

O-ring BS120 ISO3601-1

Body made from corrosion resistant metal

Ø9mm inlet cross section  
Cell volume ~ 1.5 mL



TOLERANCES UNLESS OTHERWISE STATED  
DIMENSIONAL: 3dp ±0.05mm  
2dp ±0.1mm  
1dp ±0.3mm  
0dp ±1mm  
ANGULAR: ±30'

THIS DRAWING IS CONFIDENTIAL AND IS THE COPYRIGHT AND PROPERTY OF KEIT LTD. IT SHOULD NOT BE COPIED OR DISCLOSED TO A THIRD PARTY WITHOUT PRIOR WRITTEN CONSENT FROM KEIT LTD.



Keit ref.: ASM1449-01

REV	JIRA #	REVISION NOTES	DRAWN	DATE
03	KEIT-2175	Port Flange annotation corrected	VG	09/07/2021
04	KEIT-2506	Updating the CI drawing for Ingold probe	JPS	09/11/2021
05	KEIT-2506	Ingold option addition	JSDS	16/11/2021
06	KEIT-2856	Power cable annotation change	JSDS	25/02/2022
07	kk-1571	CLARIFIED INGOLD DIMENSION	JPS	31/03/2022

DEBUR AND BREAK SHARP EDGES  
ALL DIMENSIONS ARE IN MILLIMETERS

DO NOT SCALE DRAWING  
SHEET 6 OF 11 SCALE: 1:1

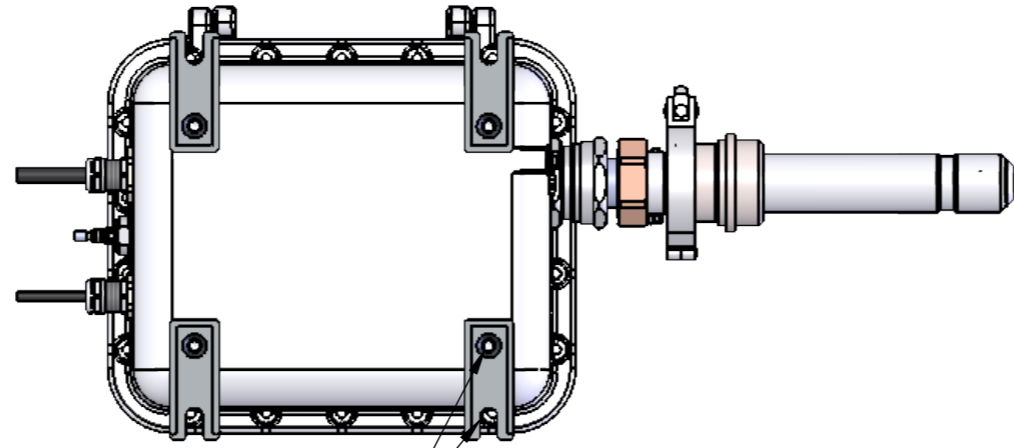
FINISH: Refer to Keit

MATERIAL: Refer to Keit

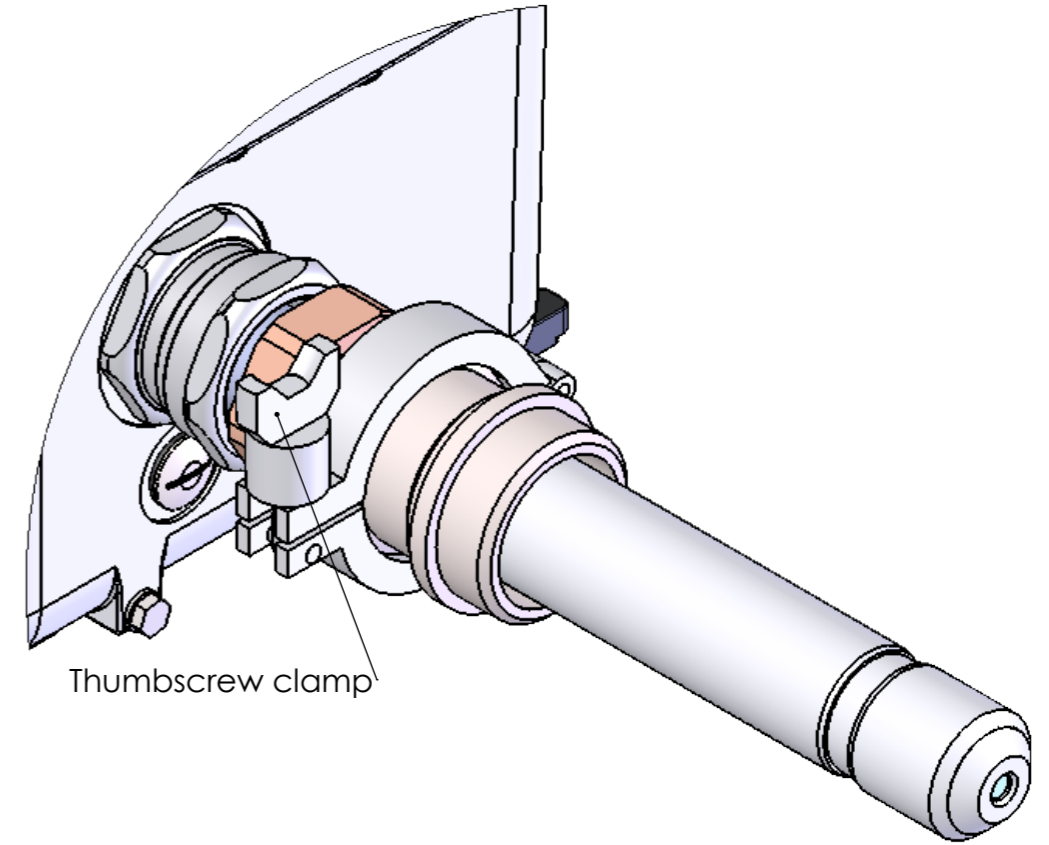
TITLE IRmadillo Diamond FTIR Spectrometer

DRAWING NUMBER ASM0627-09-Z-Cx-O-Gx-D3x **A3**

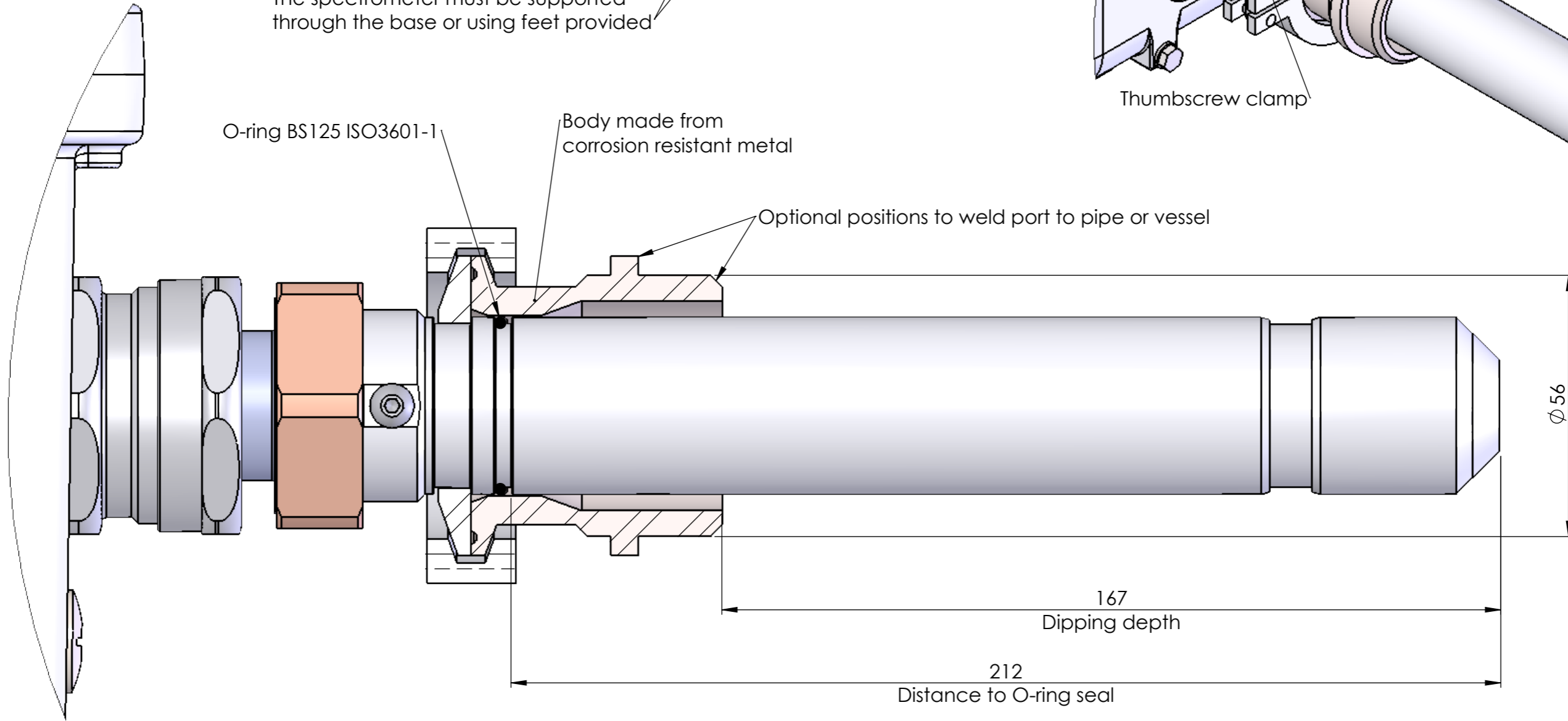
# IRmadilloDiamond Port Tube - ASM1487



The spectrometer must be supported through the base or using feet provided



Thumbscrew clamp



Keit ref.: ASM1450-01

TOLERANCES UNLESS OTHERWISE STATED  
DIMENSIONAL: 3dp ±0.05mm  
2dp ±0.1mm  
1dp ±0.3mm  
0dp ±1mm  
ANGULAR: ±30'

THIS DRAWING IS CONFIDENTIAL AND IS THE COPYRIGHT AND PROPERTY OF KEIT LTD. IT SHOULD NOT BE COPIED OR DISCLOSED TO A THIRD PARTY WITHOUT PRIOR WRITTEN CONSENT FROM KEIT LTD.



03	KEIT-2175	Port Flange annotation corrected	VG	09/07/2021
04	KEIT-2506	Updating the CI drawing for Ingold probe	JPS	09/11/2021
05	KEIT-2506	Ingold option addition	JSDS	16/11/2021
06	KEIT-2856	Power cable annotation change	JSDS	25/02/2022
07	kk-1571	CLARIFIED INGOLD DIMENSION	JPS	31/03/2022
REV	JIRA #	REVISION NOTES	DRAWN	DATE

DEBUR AND BREAK SHARP EDGES  
ALL DIMENSIONS ARE IN MILLIMETERS

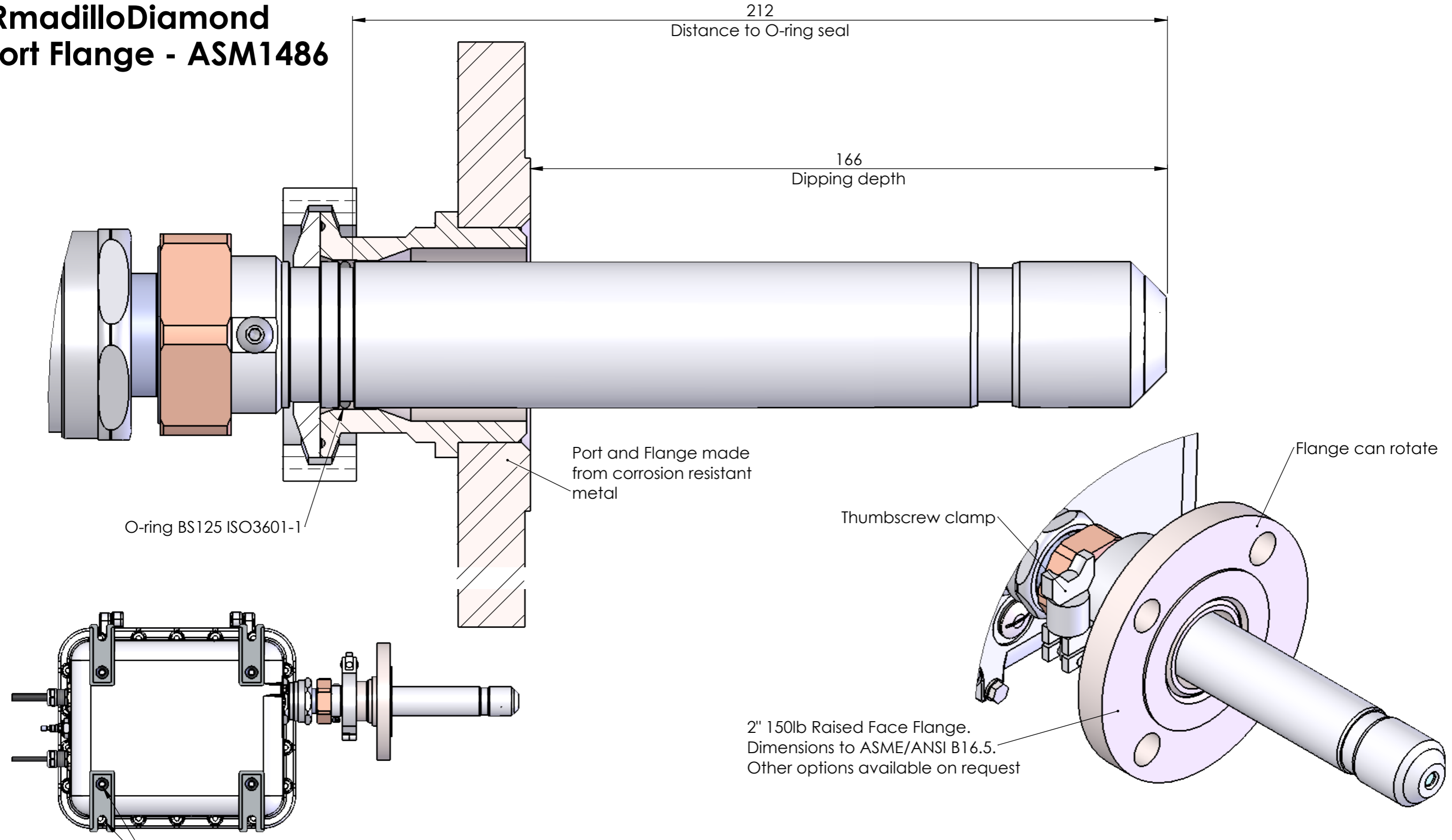
DO NOT SCALE DRAWING  
SHEET 7 OF 11 SCALE: 1:1

FINISH: Refer to Keit  
MATERIAL: Refer to Keit

TITLE IRmadillo Diamond FTIR Spectrometer

DRAWING NUMBER ASM0627-09-Z-Cx-O-Gx-D3x **A3**

# IRmadilloDiamond Port Flange - ASM1486



The spectrometer must be supported through the base or using feet provided

TOLERANCES UNLESS OTHERWISE STATED  
 DIMENSIONAL: 3dp ±0.05mm  
 2dp ±0.1mm  
 1dp ±0.3mm  
 0dp ±1mm  
 ANGULAR: ±30'

THIS DRAWING IS CONFIDENTIAL AND IS THE COPYRIGHT AND PROPERTY OF KEIT LTD. IT SHOULD NOT BE COPIED OR DISCLOSED TO A THIRD PARTY WITHOUT PRIOR WRITTEN CONSENT FROM KEIT LTD.



Keit ref.: ASM1494

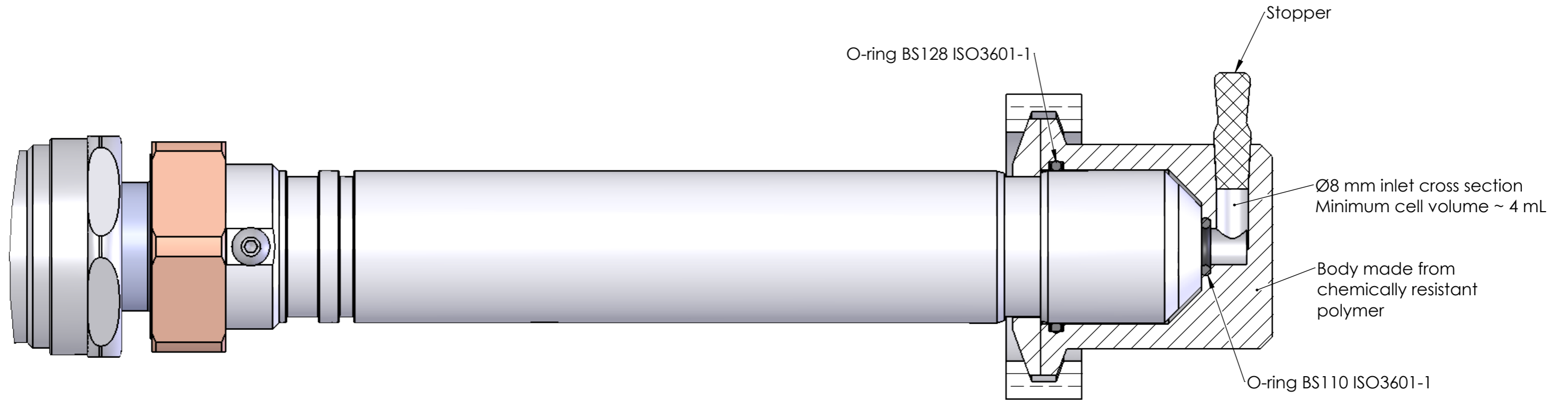
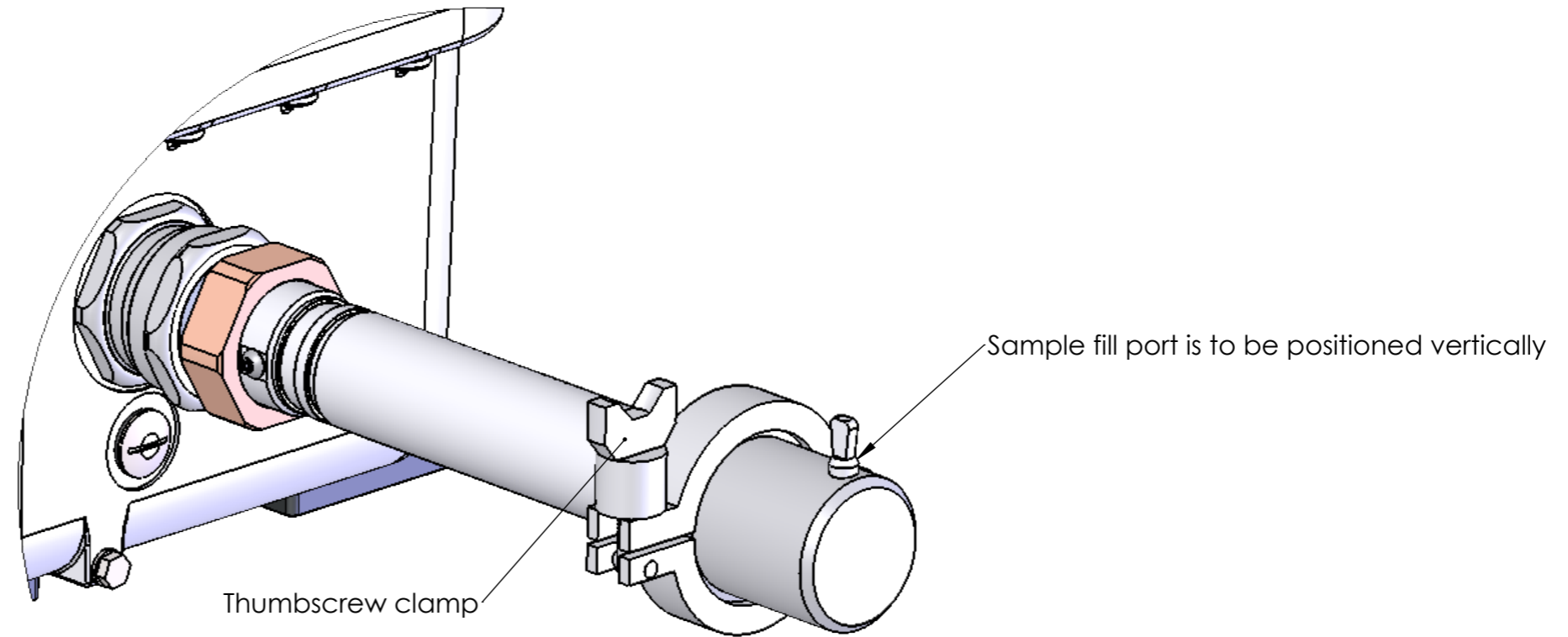
REV	JIRA #	REVISION NOTES	DRAWN	DATE
03	KEIT-2175	Port Flange annotation corrected	VG	09/07/2021
04	KEIT-2506	Updating the CI drawing for Ingold probe	JPS	09/11/2021
05	KEIT-2506	Ingold option addition	JSDS	16/11/2021
06	KEIT-2856	Power cable annotation change	JSDS	25/02/2022
07	kk-1571	CLARIFIED INGOLD DIMENSION	JPS	31/03/2022

DEBUR AND BREAK SHARP EDGES  
 ALL DIMENSIONS ARE IN MILLIMETERS  
 DO NOT SCALE DRAWING  
 SHEET 8 OF 11 SCALE: 1:1

FINISH: Refer to Keit  
 MATERIAL: Refer to Keit

TITLE IRmadillo Diamond FTIR Spectrometer  
 DRAWING NUMBER ASM0627-09-Z-Cx-O-Gx-D3x **A3**

# IRmadilloDiamond Sample Cell - ASM1393



TOLERANCES UNLESS OTHERWISE STATED  
 DIMENSIONAL: 3dp ±0.05mm  
 2dp ±0.1mm  
 1dp ±0.3mm  
 0dp ±1mm  
 ANGULAR: ±30'

THIS DRAWING IS CONFIDENTIAL AND IS THE COPYRIGHT AND PROPERTY OF KEIT LTD. IT SHOULD NOT BE COPIED OR DISCLOSED TO A THIRD PARTY WITHOUT PRIOR WRITTEN CONSENT FROM KEIT LTD.



Keit ref.: ASM1451-01

REV	JIRA #	REVISION NOTES	DRAWN	DATE
03	KEIT-2175	Port Flange annotation corrected	VG	09/07/2021
04	KEIT-2506	Updating the CI drawing for Ingold probe	JPS	09/11/2021
05	KEIT-2506	Ingold option addition	JSDS	16/11/2021
06	KEIT-2856	Power cable annotation change	JSDS	25/02/2022
07	kk-1571	CLARIFIED INGOLD DIMENSION	JPS	31/03/2022

DEBUR AND BREAK SHARP EDGES  
ALL DIMENSIONS ARE IN MILLIMETERS

DO NOT SCALE DRAWING  
SHEET 9 OF 11 SCALE: 1:1

FINISH: Refer to Keit

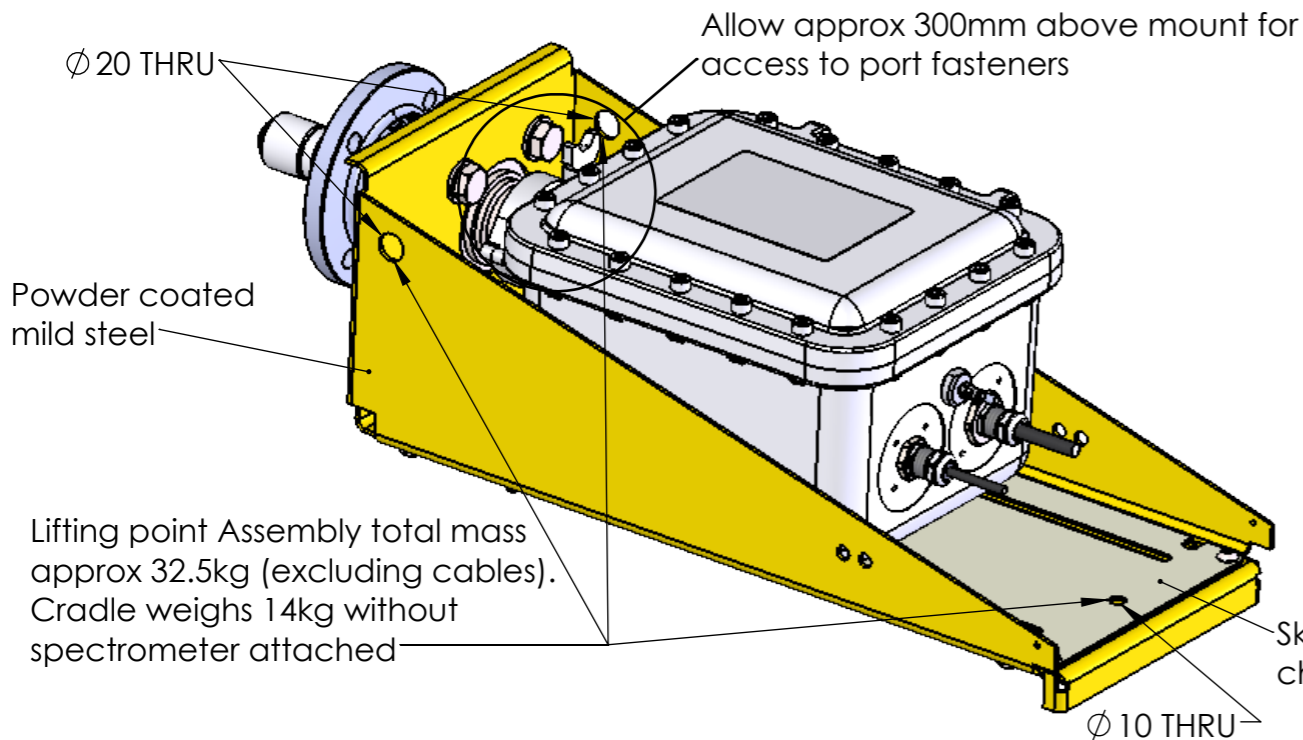
MATERIAL: Refer to Keit

TITLE IRmadillo Diamond FTIR Spectrometer

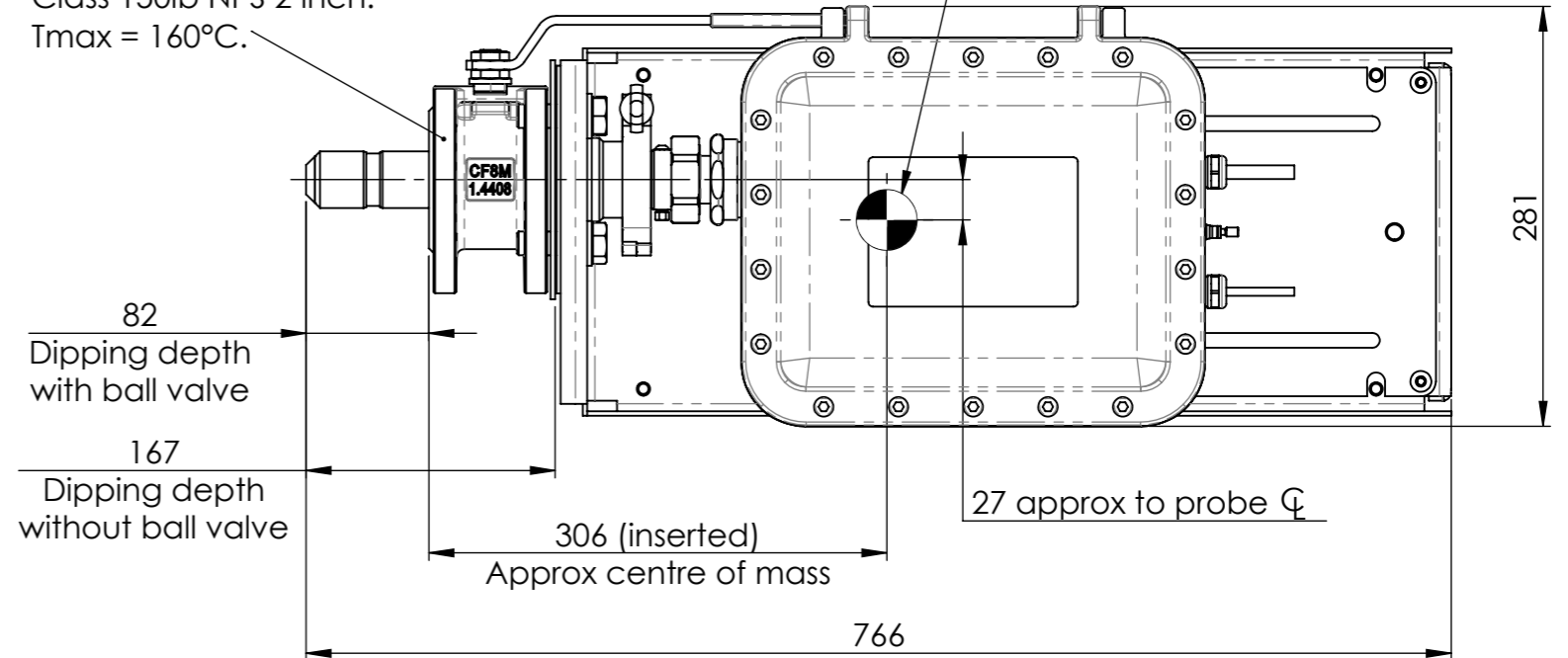
DRAWING NUMBER ASM0627-09-Z-Cx-O-Gx-D3x **A3**

# IRmadilloDiamond Cradle- ASM1453

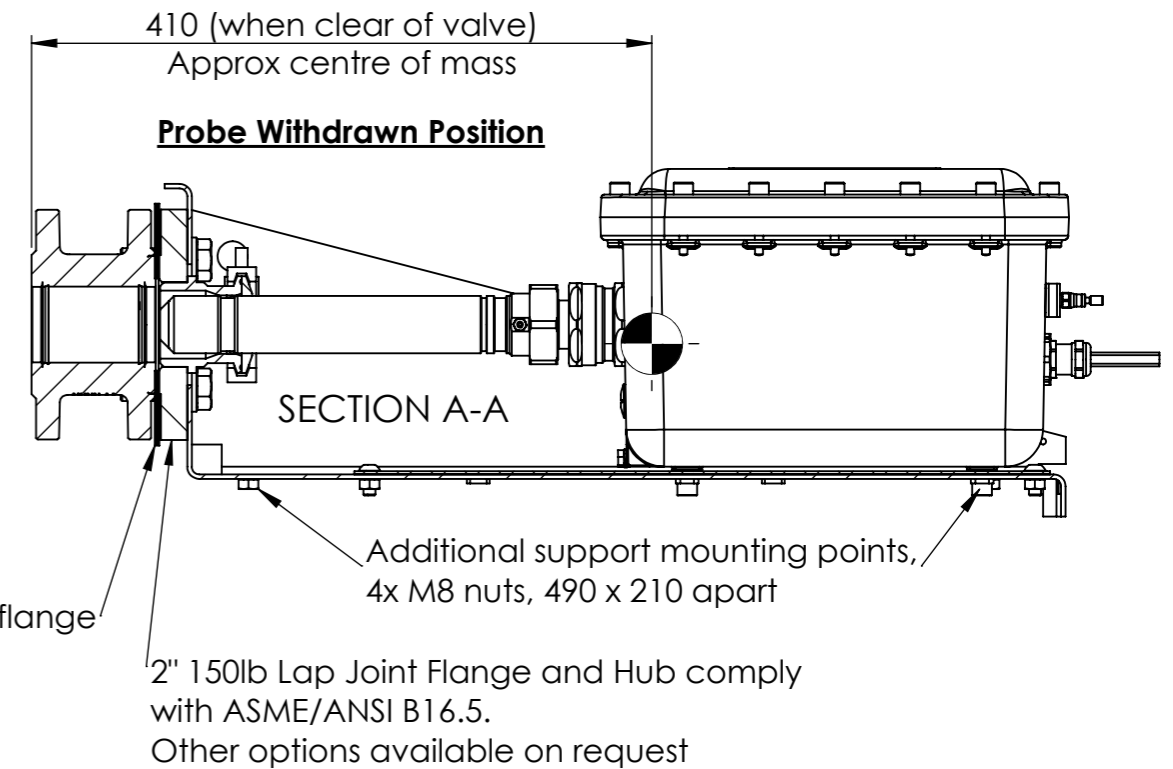
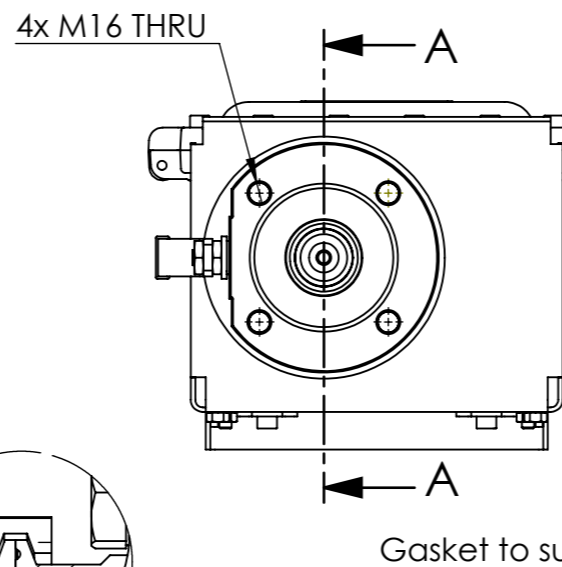
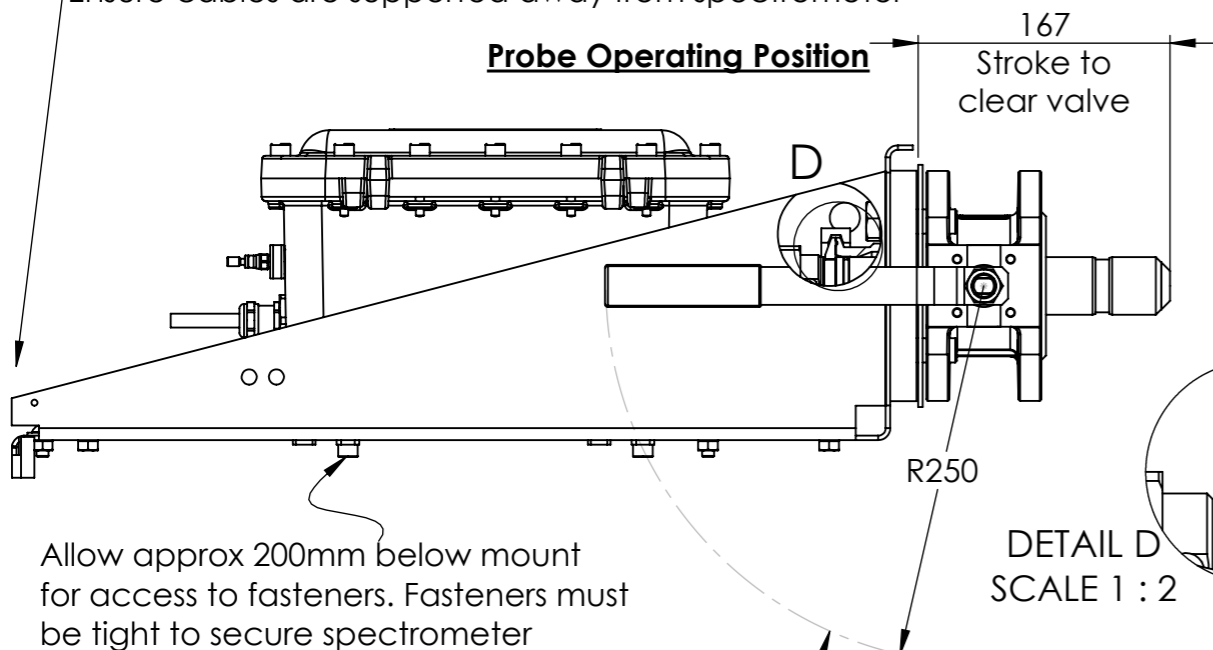
**Note: Refer to user documentation for installation instructions**



Optional: Wafer ball valve 720006,  
Class 150lb NPS 2 inch.  
Tmax = 160°C.



Allow approx 300mm behind rear face of cradle to accommodate cable bends.  
Ensure cables are supported away from spectrometer



Allow R250mm min to operate valve.  
Do not close valve unless probe is fully retracted

TOLERANCES UNLESS OTHERWISE STATED  
DIMENSIONAL: 3dp ±0.05mm  
2dp ±0.1mm  
1dp ±0.3mm  
0dp ±1mm  
ANGULAR: ±30'

THIS DRAWING IS CONFIDENTIAL AND IS THE COPYRIGHT AND PROPERTY OF KEIT LTD. IT SHOULD NOT BE COPIED OR DISCLOSED TO A THIRD PARTY WITHOUT PRIOR WRITTEN CONSENT FROM KEIT LTD.



Keit ref.: ASM1488

REV	JIRA #	REVISION NOTES	DRAWN	DATE
03	KEIT-2175	Port Flange annotation corrected	VG	09/07/2021
04	KEIT-2506	Updating the CI drawing for Ingold probe	JPS	09/11/2021
05	KEIT-2506	Ingold option addition	JSDS	16/11/2021
06	KEIT-2856	Power cable annotation change	JSDS	25/02/2022
07	kk-1571	CLARIFIED INGOLD DIMENSION	JPS	31/03/2022

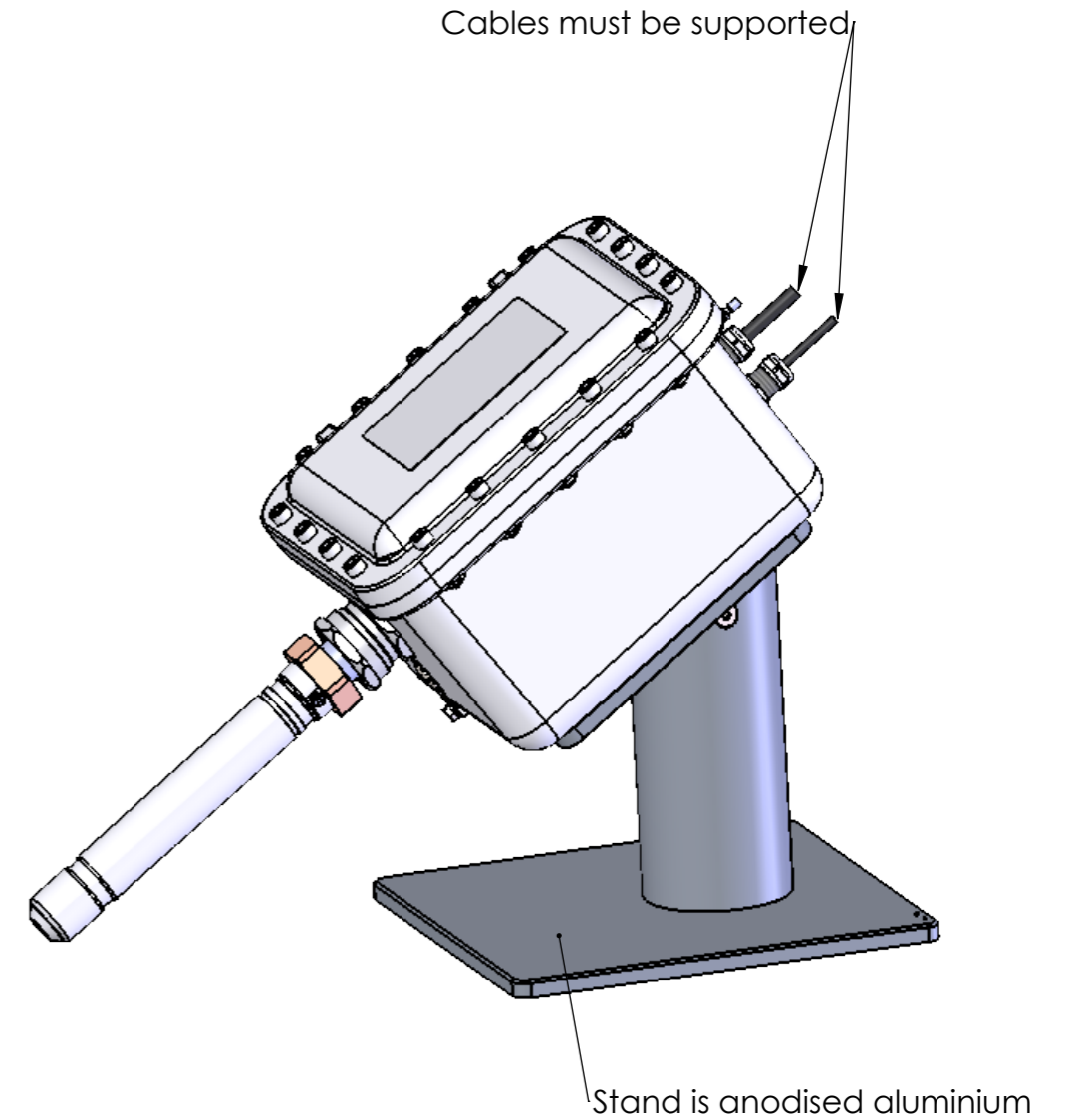
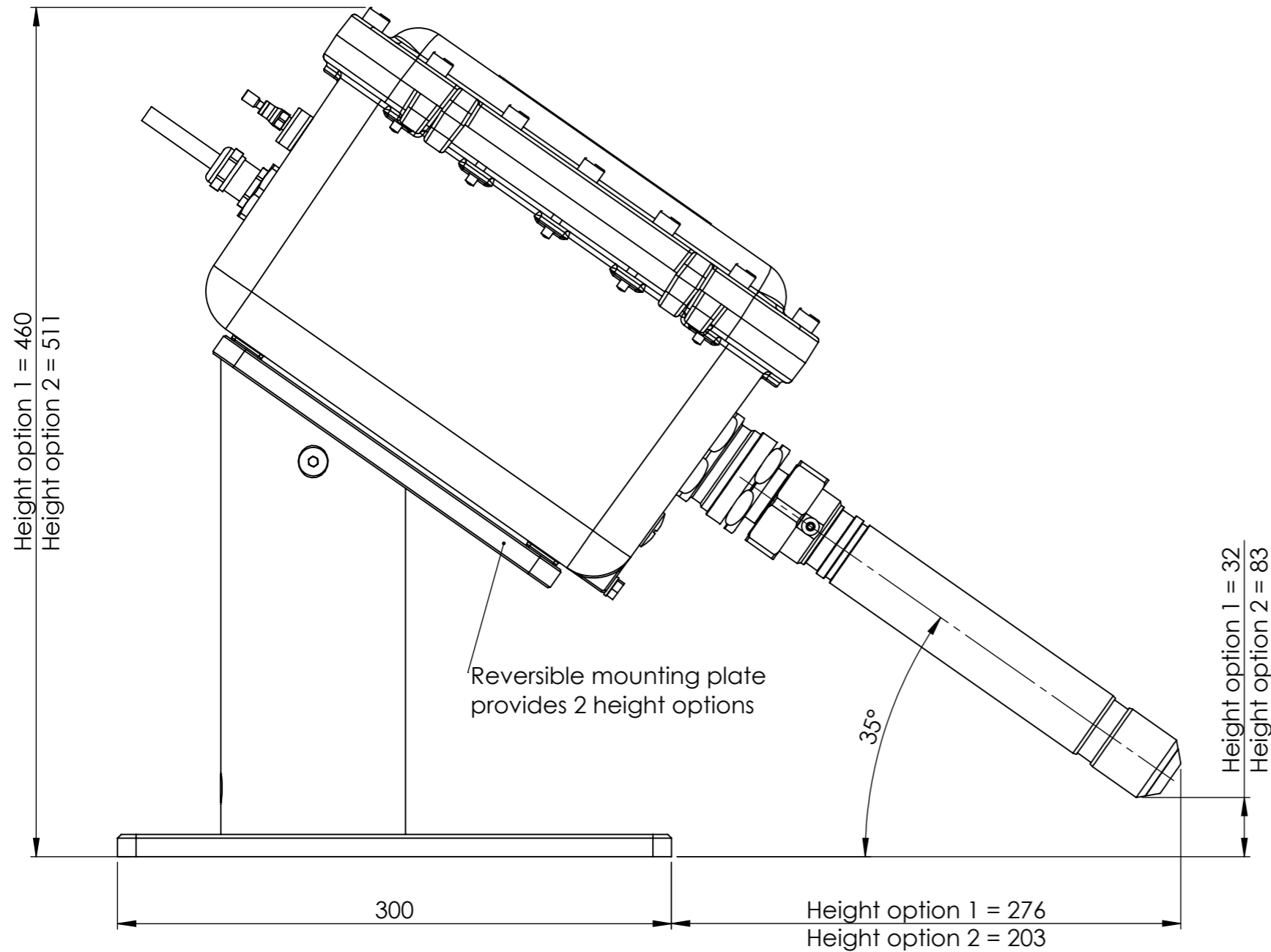
DEBUR AND BREAK SHARP EDGES  
ALL DIMENSIONS ARE IN MILLIMETERS

DO NOT SCALE DRAWING  
SHEET 10 OF 11 SCALE: 1:5


FINISH: Refer to Keit  
MATERIAL: Refer to Keit

TITLE IRmadillo Diamond FTIR Spectrometer  
DRAWING NUMBER ASM0627-09-Z-Cx-O-Gx-D3x **A3**

# IRmadilloDiamond Inclined Stand - ASM0916



Keit ref.: ASM1455

TOLERANCES UNLESS OTHERWISE STATED DIMENSIONAL: 3dp ±0.05mm 2dp ±0.1mm 1dp ±0.3mm 0dp ±1mm ANGULAR: ±30'				THIS DRAWING IS CONFIDENTIAL AND IS THE COPYRIGHT AND PROPERTY OF KEIT LTD. IT SHOULD NOT BE COPIED OR DISCLOSED TO A THIRD PARTY WITHOUT PRIOR WRITTEN CONSENT FROM KEIT LTD.		 <a href="http://www.keit.co.uk">www.keit.co.uk</a>		
03	KEIT-2175	Port Flange annotation corrected	VG	09/07/2021	DEBUR AND BREAK SHARP EDGES ALL DIMENSIONS ARE IN MILLIMETERS	FINISH: Refer to Keit		TITLE IRmadillo Diamond FTIR Spectrometer
04	KEIT-2506	Updating the CI drawing for Ingold probe	JPS	09/11/2021		MATERIAL: Refer to Keit		
05	KEIT-2506	Ingold option addition	JSDS	16/11/2021	DO NOT SCALE DRAWING SHEET 11 OF 11 SCALE: 1:3	DRAWING NUMBER ASM0627-09-Z-Cx-O-Gx-D3x		
06	KEIT-2856	Power cable annotation change	JSDS	25/02/2022		A3		
07	kk-1571	CLARIFIED INGOLD DIMENSION	JPS	31/03/2022				
REV	JIRA #	REVISION NOTES	DRAWN	DATE				