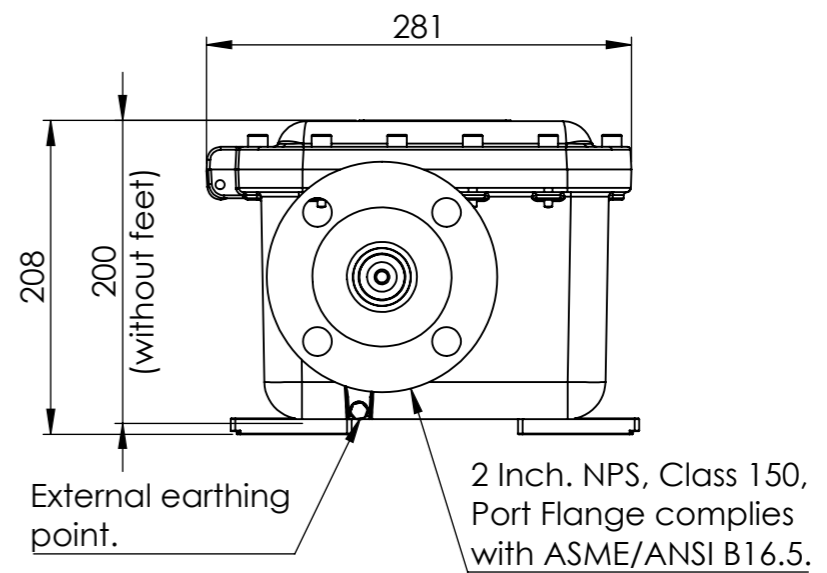
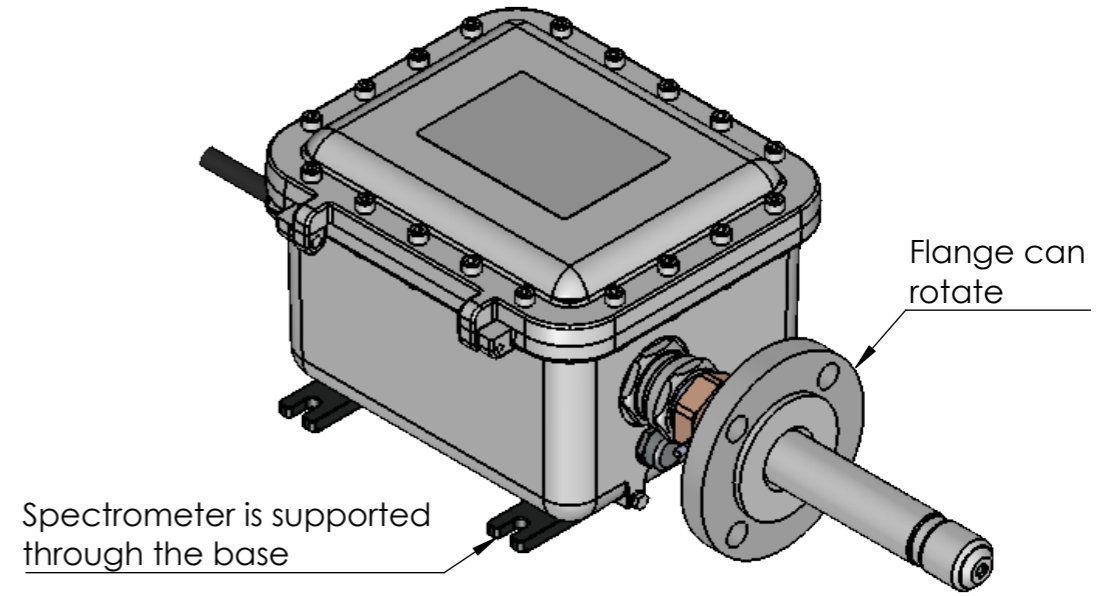
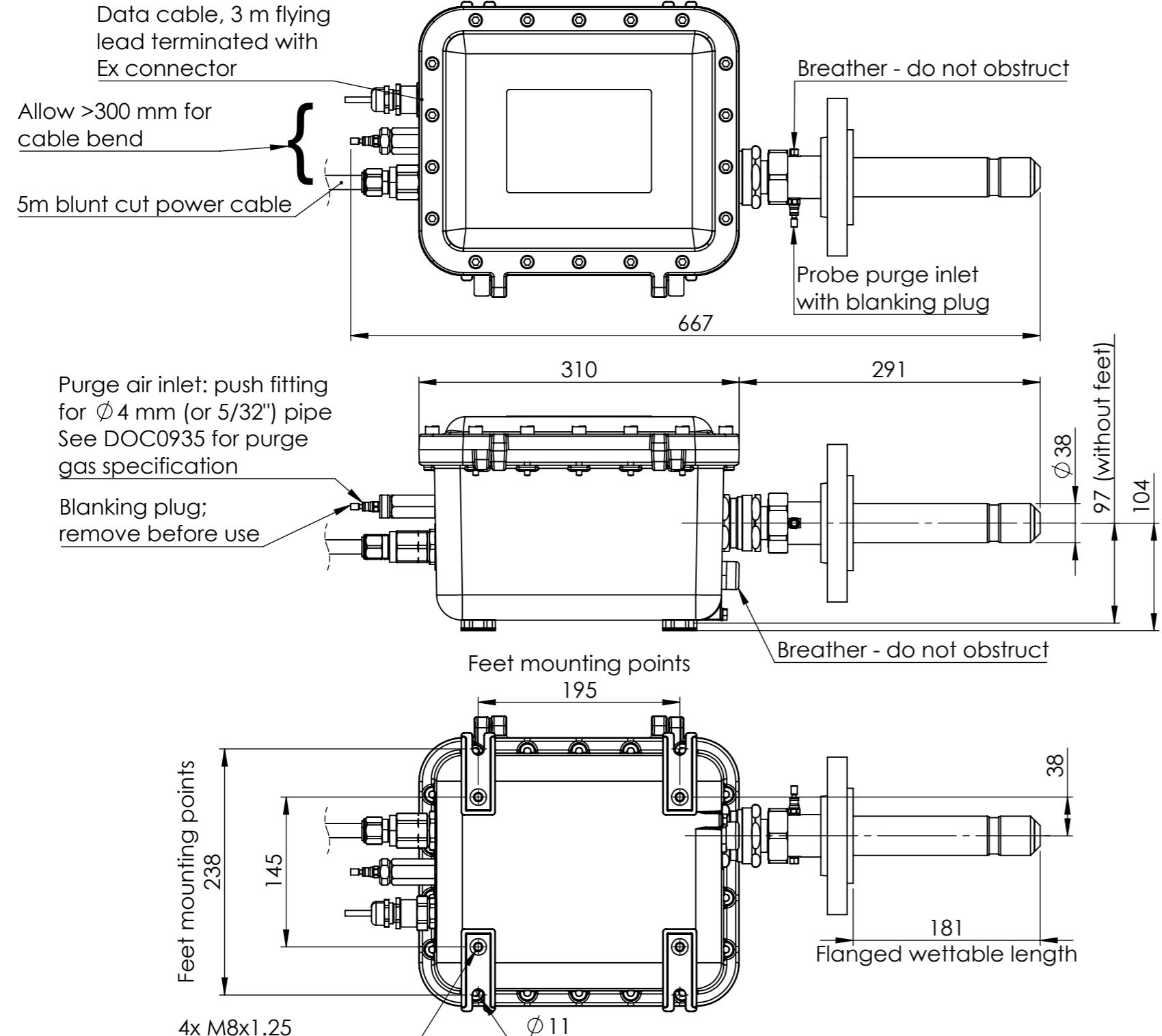



IRmadilloEx - ASM0627-09-E-Cx-O-Gx-D3x

IRmadilloNA - ASM0627-09-N-Cx-O-Gx-D3x



Ex RELATED DRAWING -				TOLERANCES UNLESS OTHERWISE STATED		THIS DRAWING IS CONFIDENTIAL AND IS THE COPYRIGHT AND PROPERTY OF KEIT LTD. IT SHOULD NOT BE COPIED OR DISCLOSED TO A THIRD PARTY WITHOUT PRIOR WRITTEN CONSENT FROM KEIT LTD.		 www.keit.co.uk	
ALL CHANGES REQUIRE APPROVAL OF Ex AUTHORISED PERSON				DIMENSIONAL: 3dp ± 0.05 mm 2dp ± 0.1 mm 1dp ± 0.3 mm 0dp ± 1 mm ANGULAR: $\pm 30'$		DEBUR AND BREAK SHARP EDGES ALL DIMENSIONS ARE IN MILLIMETERS		TITLE IRmadillo Ex FTIR Spectrometer	
						FINISH:		DRAWING NUMBER	
						MATERIAL:		ASM0627-09-N-Cx-O-Gx-D3x & ASM0627-09-E-Cx-O-Gx-D3x	
REV JIRA # REVISION NOTES				DRAWN DATE		DO NOT SCALE DRAWING		A3	
						SHEET 1 OF 1 SCALE: 1:5			